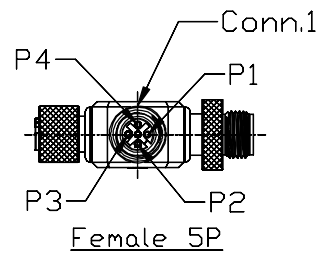
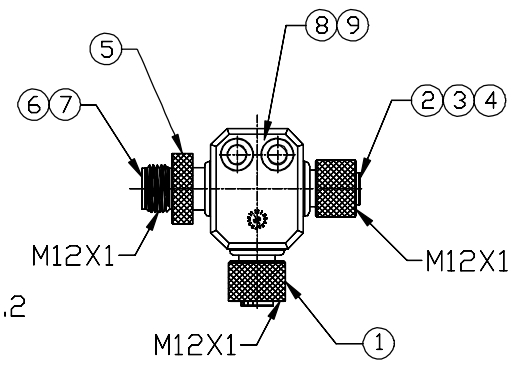
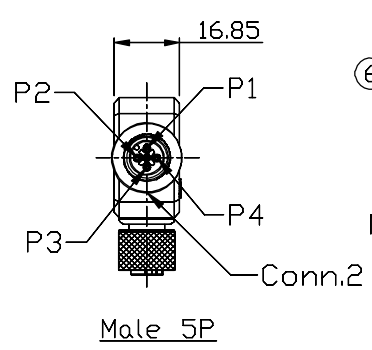
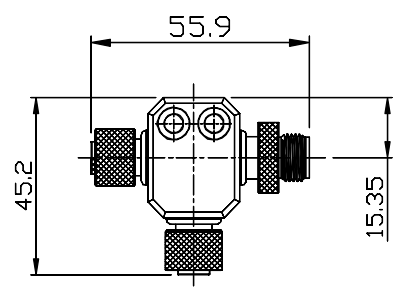
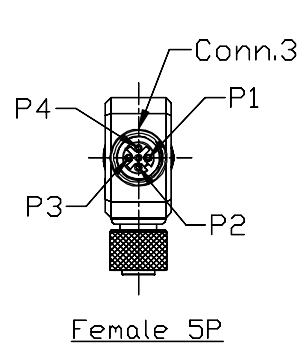


REV.	DESCRIPTION	DATE
A	RELEASE	Oct.10, 2018



- Notes: (Unless Otherwise Specified)
1. Waterproof Rate: IP68.
 2. Durability: 100 Cycles Min.
 3. DWV: 1000 Vrms
 4. Insulation Resistance: 100 MΩ MIN.
 5. RoHS Compliance.

Materials:

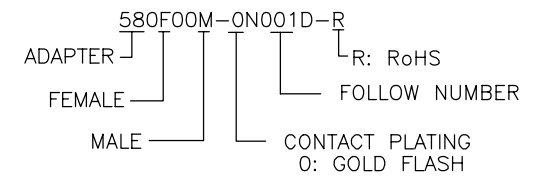
9	Over Mold	PVC Color: Black	1
8	Inner Mold	PE Color: White or Black	1
7	Male Contacts	Copper Alloy Finish: Au Plated	5
6	Male Housing	Thermal Plastic Color: Black	1
5	Male Screw Nut	Copper Alloy Finish: Ni Plated	1
4	O-Ring	Viton Color: Black	2
3	Female Contacts	Copper Alloy Finish: Au Plated	10
2	Female Housing	Thermal Plastic Color: Black	2
1	Female Screw Nut	Copper Alloy Finish: Ni Plated	2
Item	Part Name	Material / Finish	Qty

1	1	1	Green
2	2	2	Red
3	3	3	Black
4	4	4	White
5	5	5	Blue

Conn.1 Conn.2 Conn.3

Wiring Diagram

Part Number Information:



TOLERANCE .0=±0.50 .00=±0.20 .000=±0.05 ANG.=±1°	DRAWER <i>EXER</i>	 ASTRON TECHNOLOGY CORP.
	CHECK <i>JFONY</i>	
 UNITS : mm	APP'D <i>JFONY</i>	DRAW NO. 580F00M-0N001D-R
	SCALE NONE	SIZE A5
		REV. A