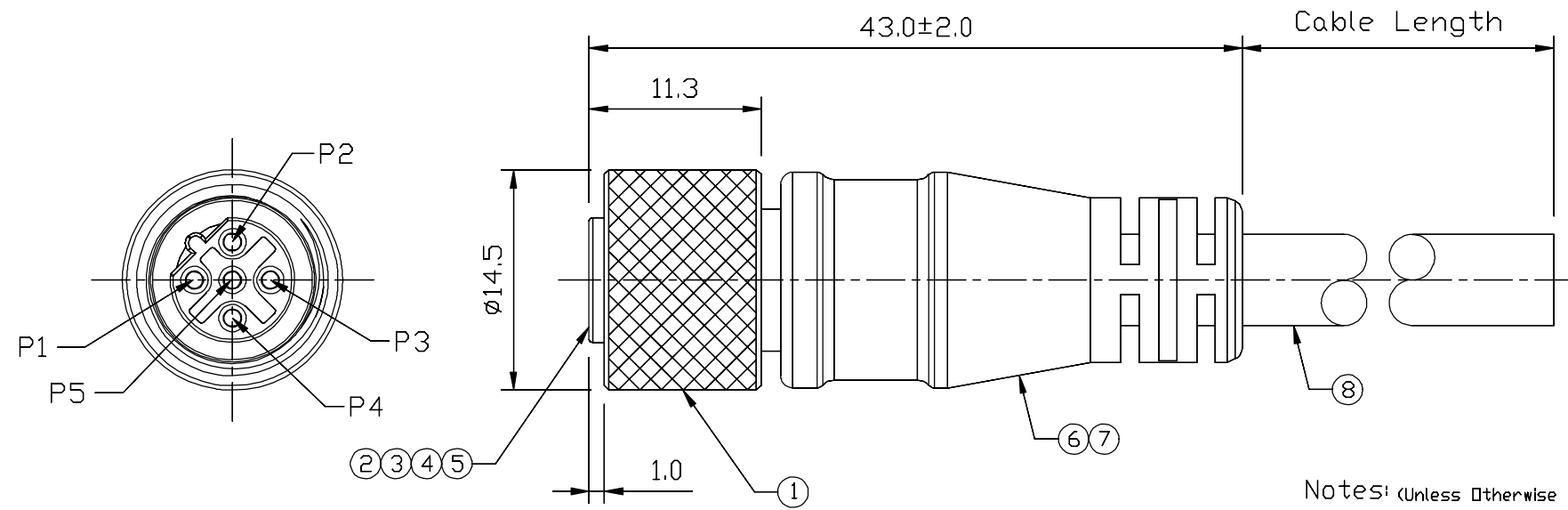


REV.	DESCRIPTION	DATE
A	RELEASE	Oct.10, 2018



1	Brown
2	Orange
3	Black
4	Yellow
5	Red

Wiring Diagram

Notes: (Unless Otherwise Specified)

1. Waterproof Rate: IP68.
2. Durability: 100 Cycles Min.
3. DWV: 1000 Vrms
4. Rated Voltage: 60V AC/DC
5. Insulation Resistance: 100 MΩ Min.
6. RoHS Compliant.

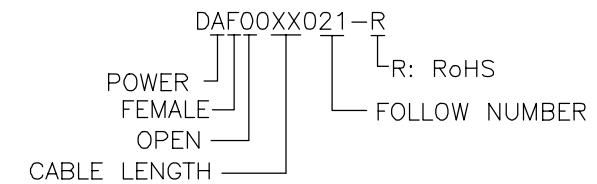
Materials:

Item	Part Name	Material / Finish	Q'ty
8	Cable	UL2464 22AWG*5C Color: Black, OD=5.5mm	1
7	Over Mold	PVC Color: Black	1
6	Inner Mold	Thermoplastic Color: White Or Black	1
5	O-Ring	Silicone Color: Red	1
4	Base	Thermoplastic Color: Black	1
3	Contacts	Copper Alloy Finish: Au Plating	5
2	Housing	Thermoplastic Color: Black	1
1	Screw Nut	Copper Alloy Finish: Ni Plated	1

DAF0000021-R	10000 mm	±500
DAF0090021-R	9000 mm	±450
DAF0080021-R	8000 mm	±400
DAF0070021-R	7000 mm	±350
DAF0060021-R	6000 mm	±300
DAF0050021-R	5000 mm	±250
DAF0040021-R	4000 mm	±200
DAF0030021-R	3000 mm	±150
DAF0020021-R	2000 mm	±100
DAF0010021-R	1000 mm	±50
DAF0009021-R	900 mm	±40
DAF0008021-R	800 mm	±40
DAF0007021-R	700 mm	±40
DAF0006021-R	600 mm	±40
DAF0005021-R	500 mm	±40
DAF0004021-R	400 mm	±40
DAF0003021-R	300 mm	±40

Part No.	Cable Length	Tol.
----------	--------------	------

Part Number Information:



TOLERANCE .0=±0.50 .00=±0.20 .000=±0.05 ANG.=±1°	DRAWER <i>EXER</i>	 ASTRON TECHNOLOGY CORP.
	CHECK <i>JFONY</i>	
 UNITS : mm	APP'D <i>JFONY</i>	DRAW NO. DAF00XX021-R
	SCALE NONE	SIZE A5
REV. A		