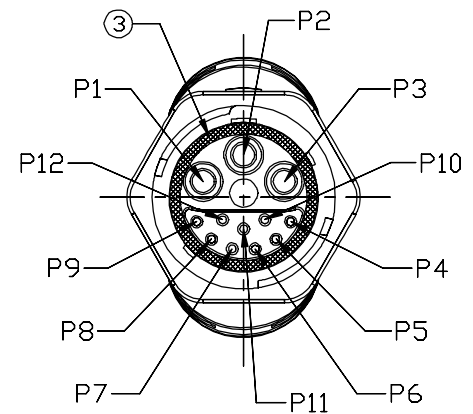
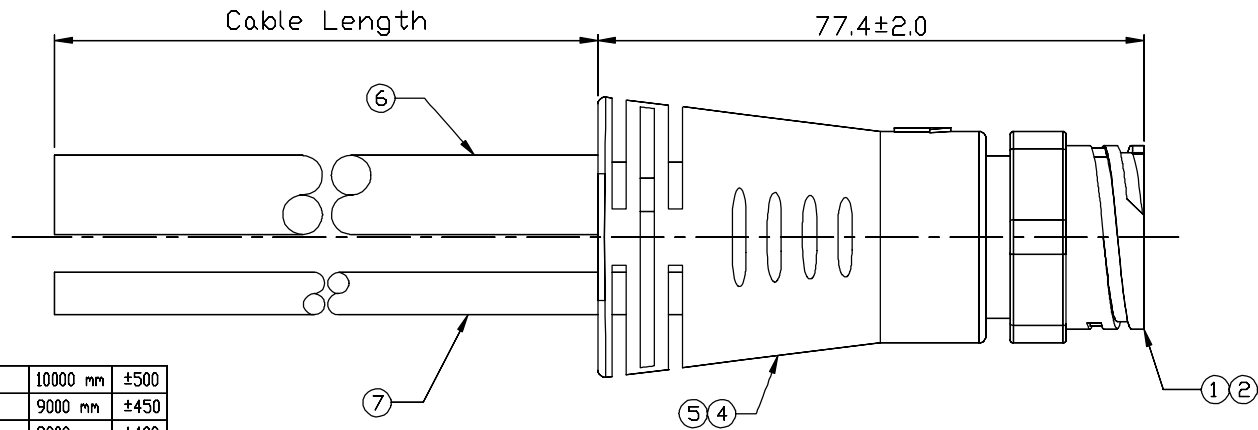


REV.	DESCRIPTION	DATE
A	RELEASE	Oct.10, 2018

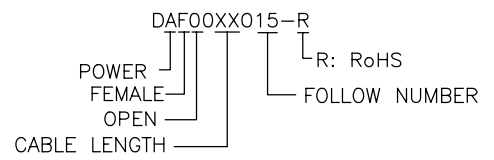


DAF0000015-R	10000 mm	±500
DAF0090015-R	9000 mm	±450
DAF0080015-R	8000 mm	±400
DAF0070015-R	7000 mm	±350
DAF0060015-R	6000 mm	±300
DAF0050015-R	5000 mm	±250
DAF0040015-R	4000 mm	±200
DAF0030015-R	3000 mm	±150
DAF0020015-R	2000 mm	±100
DAF0010015-R	1000 mm	±50
DAF0009015-R	900 mm	±40
DAF0008015-R	800 mm	±40
DAF0007015-R	700 mm	±40
DAF0006015-R	600 mm	±40
DAF0005015-R	500 mm	±40
Part No.	Cable Length	Tol.

Notes: (Unless Otherwise Specified)
 1. Waterproof Rate: IP67.
 2. RoHS Compliant.

SJTW	1	Black
	2	Green
	3	White
CAT-5e	4	Brown
	5	Brown/White
	6	Blue
	7	Blue/White
	8	Orange
	9	Orange/White
	10	Green
	11	Green/White
	12	Drain

Part Number Information:



Materials:

Item	Part Name	Material / Finish	Q'ty
7	FTP CAT-5e	UL2835 24AWG*4P+MEA, OD=6.0mm Color: Black	1
6	SJTW	SJTW 14AWG*3C, OD=9.3mm Color: Black	1
5	Over Mold	PVC Color: Black	1
4	Inner Mold	Thermoplastic Color: White Or Black	1
3	O-ring	Silicone Color: Red	1
2	Contacts	Copper Alloy Finish: Gold Flash	12
1	Housing	Thermoplastic Color: Black	1

Wiring Diagram

TOLERANCE .0=±0.50 .00=±0.20 .000=±0.05 ANG.=±1°	DRAWER <i>EXER</i>	 ASTRON TECHNOLOGY CORP.
	CHECK <i>JYONY</i>	
 UNITS : mm	APP'D <i>JYONY</i>	DRAW NO. DAF00XX015-R
	PRODUCT SPEC. —	SCALE NONE SIZE A5 SHEET 1 OF 1 REV. A