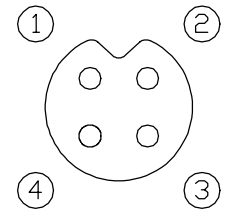
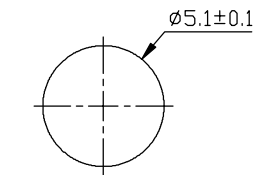
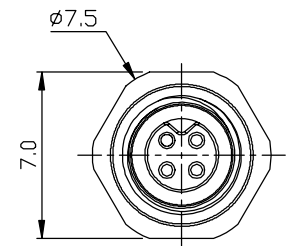


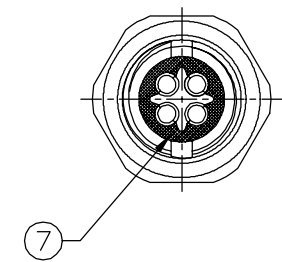
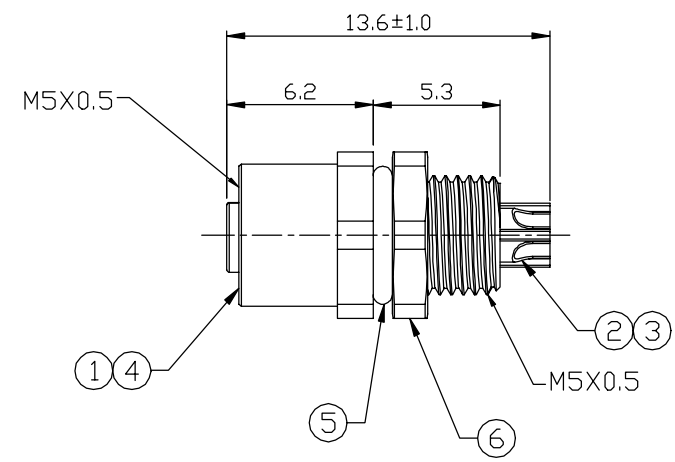
REV.	DESCRIPTION	DATE
A	RELEASE	Oct.15, 2018



Front View
Pin Assignment



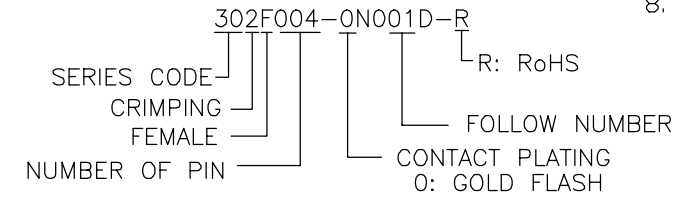
Recommend
Panel Cut-Out



Materials:

7	Glue	Epoxy Color: Black	
6	Hex Nut	Copper Alloy Finish: Ni Plated	1
5	O-Ring	NBR Color: Black	1
4	O-Ring	NBR Color: Red	1
3	Contacts	Copper Alloy Finish: Au Plated	4
2	Housing	Thermoplastic Color: Black	1
1	Metal Body	Copper Alloy Finish: Ni Plated	1
Item	Part Name	Material / Finish	Q'ty

Part Number Information:



Notes: (Unless Otherwise Specified)

1. Waterproof Rate: IP67.
2. Recommend Panel Thickness: 0.8 To 2.0 mm.
3. Recommend Torque: 5~6 Kgf-cm.
4. Durability: 100 Cycles Min.
5. DWV: 900 Vrms.
6. Rated Voltage: 60V AC/DC.
7. Insulation Resistance: 100 MΩ Min.
8. RoHS Compliant.

TOLERANCE .0=±0.25 .00=±0.15 .000=±0.05 ANG.=±3°	DRAWER <i>EXER</i>	 Astron ASTRON TECHNOLOGY CORP.
	CHECK <i>JYUNY</i>	
APP'D <i>JYUNY</i>	NAME M5 1A 4P PANEL REAR MOUNT FEMALE SOLDER	
PRODUCT SPEC. —	DRAW NO. R302F004-0N001D-R	
UNITS : mm	SCALE NONE	SIZE A5
SHEET 1 OF 1	REV. A	DRAWING NAME: R