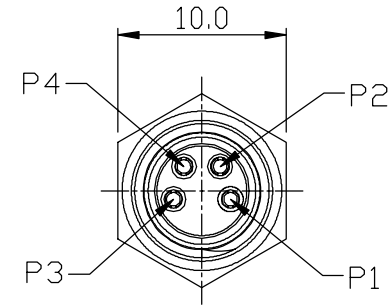
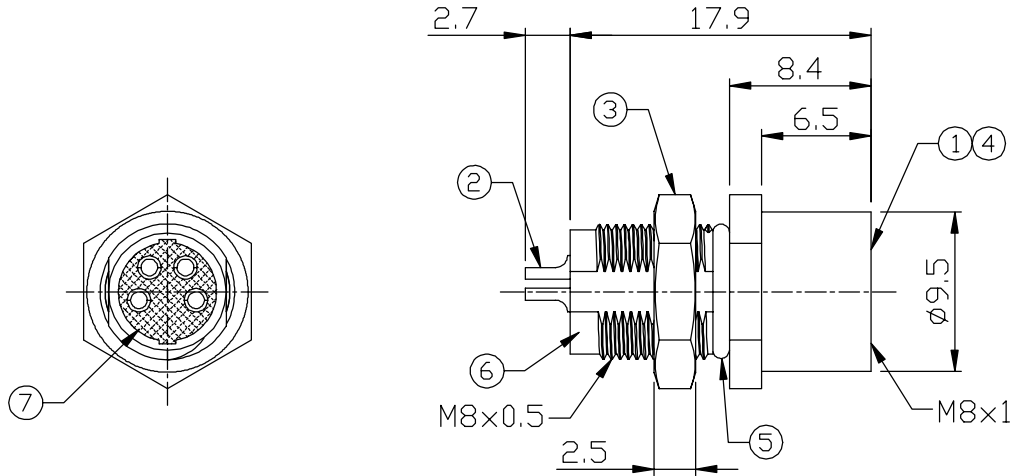
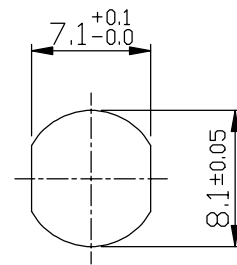


REV.	DESCRIPTION	DATE
A	RELEASE	Oct.15, 2018



Materials:

7	Glue	Epoxy Color: Black	
6	Metal Body	Copper Alloy Finish: Ni Plated	1
5	O-Ring	NBR Color: Black	1
4	O-Ring	NBR Color: Red	1
3	Hex Nut	Copper Alloy Finish: Ni Plated	1
2	Contacts	Copper Alloy Finish: Au Plated	4
1	Housing	Thermoplastic Color: Black	1
Item	Part Name	Material / Finish	Q'ty

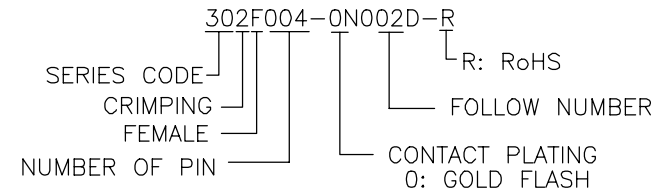


Recommend
Panel Cut-Out

Notes: (Unless Otherwise Specified)

1. Waterproof Rate: IP68.
2. Recommend Panel Thickness: 0.8 To 4.0 mm.
3. Recommend Torque: 6~7 Kgf-cm.
4. Durability: 100 Cycles Min.
5. DWV: 650 Vrms.
6. Rated Voltage: 30V AC/DC.
7. Insulation Resistance: 100 MΩ Min.
8. RoHS Compliant.

Part Number Information:



TOLERANCE .0=±0.25 .00=±0.15 .000=±0.05 ANG.=±3°		DRAWER <i>EXR</i>		 ASTRON TECHNOLOGY CORP.
 UNITS : mm		CHECK <i>JYNY</i>		
		APP'D <i>JYNY</i>		DRAW NO.
SCALE NONE		SIZE A5	SHEET 1 OF 1	REV. A
R302F004-0N002D-R				