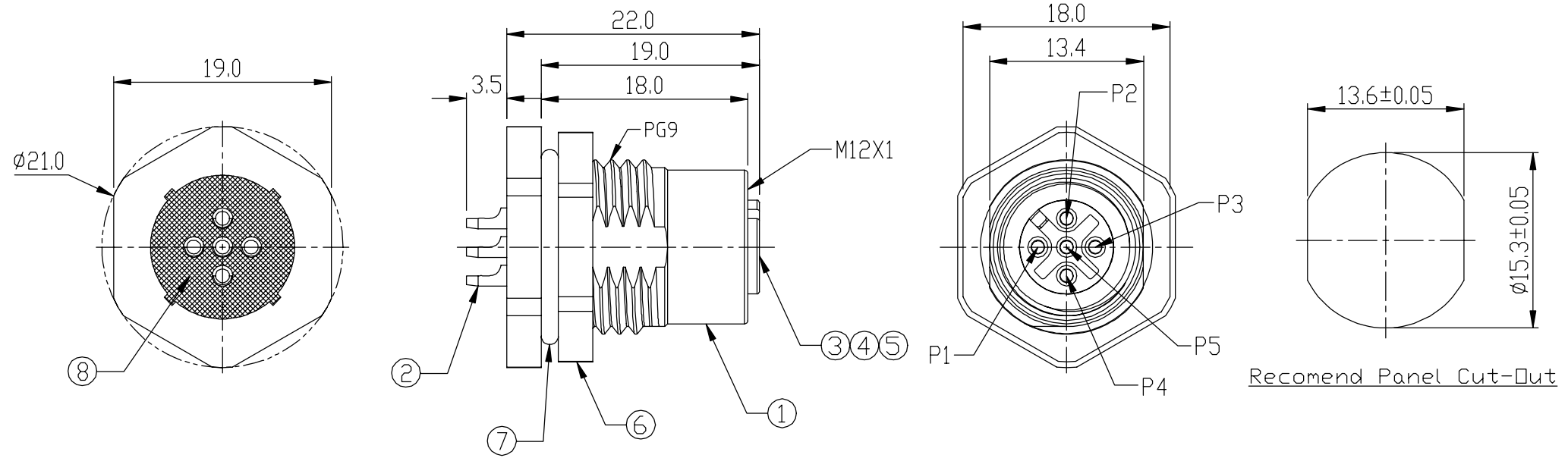


REV.	DESCRIPTION	DATE
A	RELEASE	Oct.15, 2018



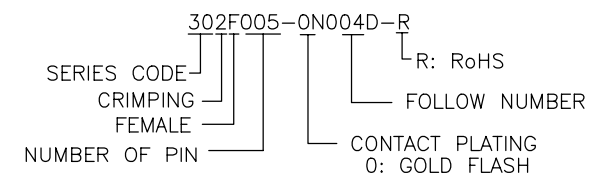
Materials:

8	Glue	Epoxy Color: Black	
7	O-Ring	NBR Color: Black	1
6	Hex Nut	Copper Alloy Finish: Ni Plated	1
5	O-Ring	Silicone Color: Red	1
4	Base	Thermal Plastic Color: Black	1
3	Housing	Thermal Plastic Color: Black	1
2	Contacts	Copper Alloy Finish: Au Plated	5
1	Shielding Case	Copper Alloy Finish: Ni Plated	1
Item	Part Name	Material / Finish	Q'ty

Notes: (Unless Otherwise Specified)

1. Waterproof Rate: IP68.
2. Recommend Panel Thickness: 0.8 To 5.0 mm.
3. Recommend Torque: 9~10 Kgf-cm.
4. Durability: 100 Cycles Min.
5. DWV: 1000 Vrms
6. Rated Voltage: 60V AC/DC.
7. Insulation Resistance: 100 MΩ Min.
8. RoHS Compliance.

Part Number Information:



TOLERANCE .0=±0.25 .00=±0.15 .000=±0.05 ANG.=±3°		DRAWER <i>EXER</i>	 ASTRON TECHNOLOGY CORP.
 UNITS : mm		CHECK <i>JYUNY</i>	
SCALE NONE		APP'D <i>JYUNY</i>	DRAW NO. R302F005-0N004D-R
SIZE A5	SHEET 1 OF 1	PRODUCT SPEC. —	