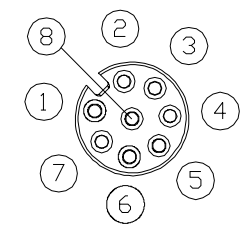
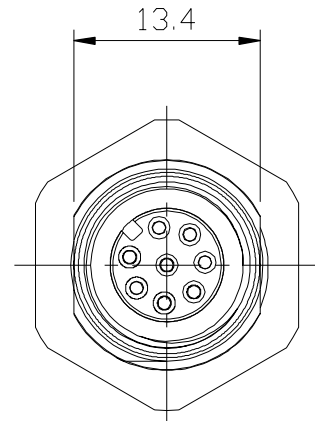
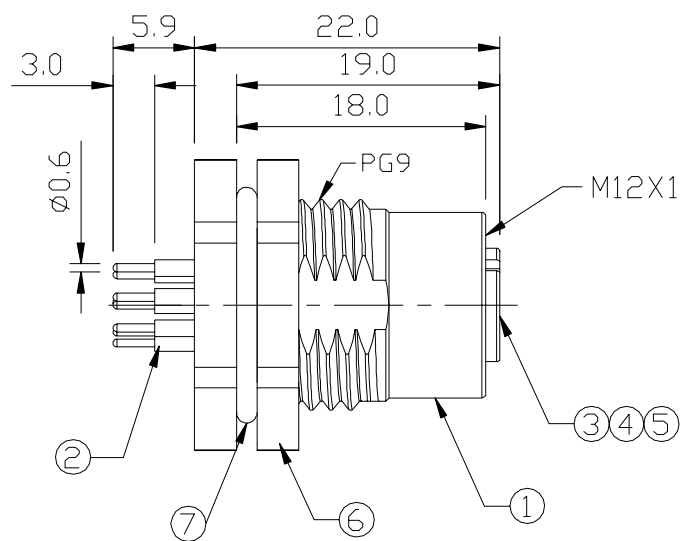
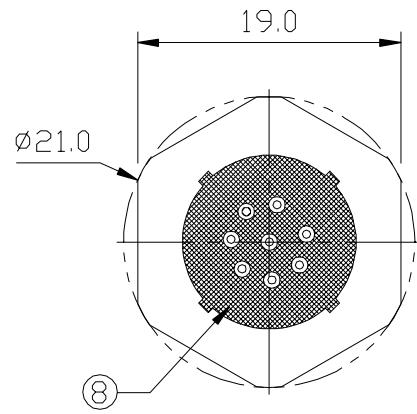


REV.	DESCRIPTION	DATE
A	RELEASE	Oct.15, 2018



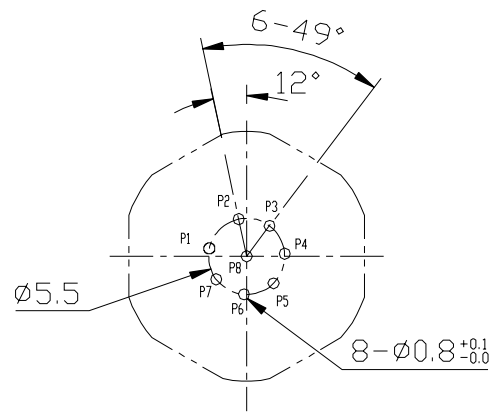
Pin Assignment

Notes: (Unless Otherwise Specified)

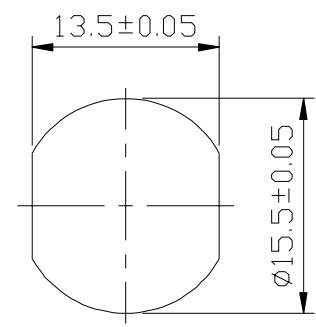
1. Waterproof Rate: IP68.
2. Recommend Panel Thickness: 0.8 To 5.0 mm.
3. Recommend Torque: 6~7 Kgf-cm.
4. Durability: 100 Cycles Min.
5. DWV: 650 Vrms
6. Rated Voltage: 30V AC/DC.
7. Insulation Resistance: 100 MΩ Min.
8. RoHS Compliant.

Materials:

8	Glue	Epoxy Color: Black	
7	O-Ring	NBR Color: Black	1
6	Hex Nut	Copper Alloy Finish: Ni Plated	1
5	O-Ring	Silicone Color: Red	1
4	Base	Thermoplastic Color: Black	1
3	Housing	Thermoplastic Color: Black	1
2	Contacts	Copper Alloy Finish: Au Plated	8
1	Shielding Case	Copper Alloy Finish: Ni Plated	1
ten	Part Name	Material / Finish	Q'ty

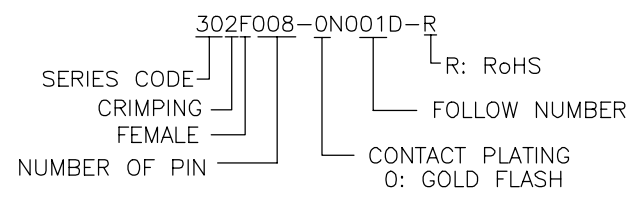


Recommend PCB Layout



Recommend Panel Cut-Out

Part Number Information:



TOLERANCE .0=±0.25 .00=±0.15 .000=±0.05 ANG.=±3°	DRAWER <i>EXER</i>	 ASTRON TECHNOLOGY CORP.
	CHECK <i>JYONY</i>	
 UNITS : mm	APP'D <i>JYONY</i>	DRAW NO. R302F008-0N001D-R
	PRODUCT SPEC. —	SHEET 1 OF 1
SCALE NONE	SIZE A5	REV. A