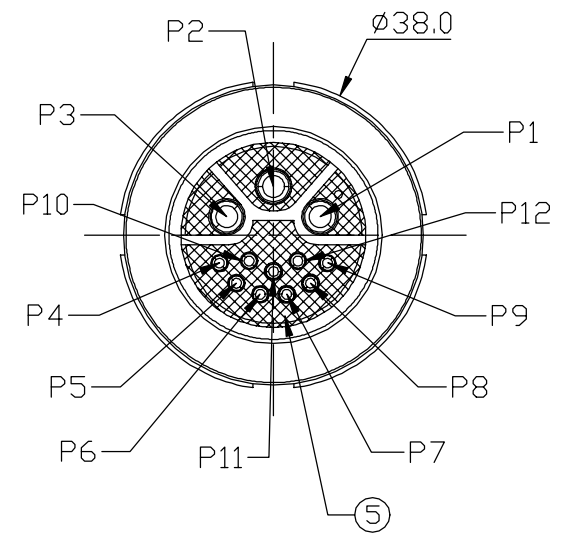
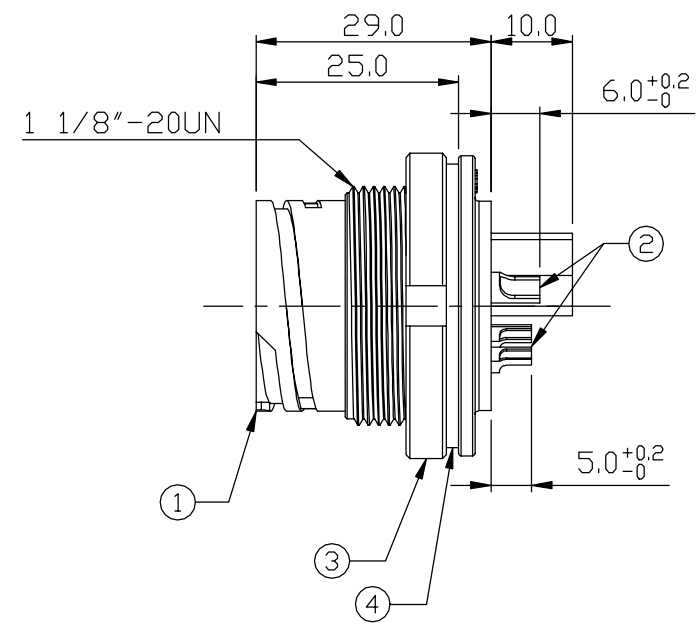
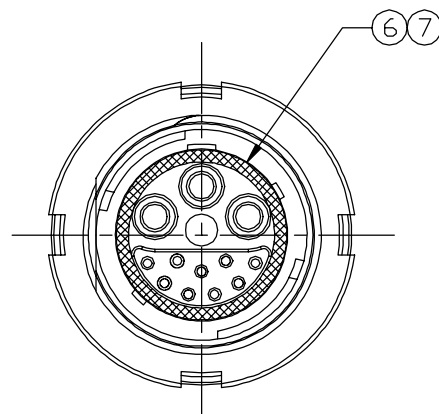
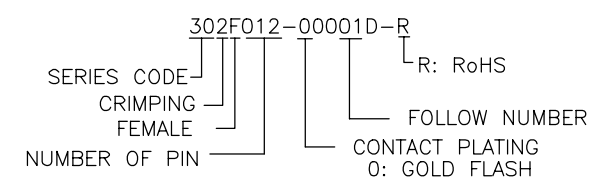


REV.	DESCRIPTION	DATE
A	RELEASE	Oct.15, 2018



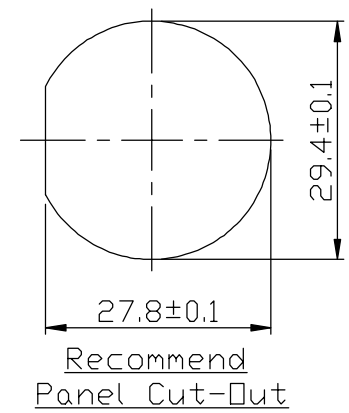
- Notes: (Unless Otherwise Specified)
1. Waterproof Rate: IP67.
 2. Recommend Panel Thickness: 0.8 to 4.0 mm.
 3. Recommend Torque: 6.0~7.0 Kgf-cm.
 4. RoHS Compliant.

Part Number Information:



Materials:

Item	Part Name	Material / Finish	Q'ty
7	Glue	MIXBON 424 Color: Clean	
6	O-Ring	Silicone Color: Red	1
5	Glue	Epoxy Color: Black	
4	Gasket	Silicone Color: Black	1
3	Spanner Nut	Thermoplastic Color: Black	1
2	Contacts	Copper Alloy Finish: Gold Flash	12
1	Housing	Thermoplastic Color: Black	1



TOLERANCE .0=±0.25 .00=±0.15 .000=±0.05 ANG.=±3°	DRAWER <i>EXR</i>	 ASTRON TECHNOLOGY CORP.
	CHECK <i>JYNY</i>	
 UNITS : mm	APP'D <i>JYNY</i>	DRAW NO. R302F012-00001D-R
	PRODUCT SPEC. —	SCALE NONE
SCALE NONE	SIZE A5	SHEET 1 OF 1
REV. A	SIZE A5	REV. A