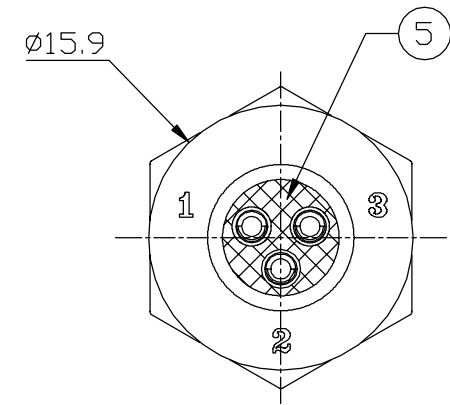
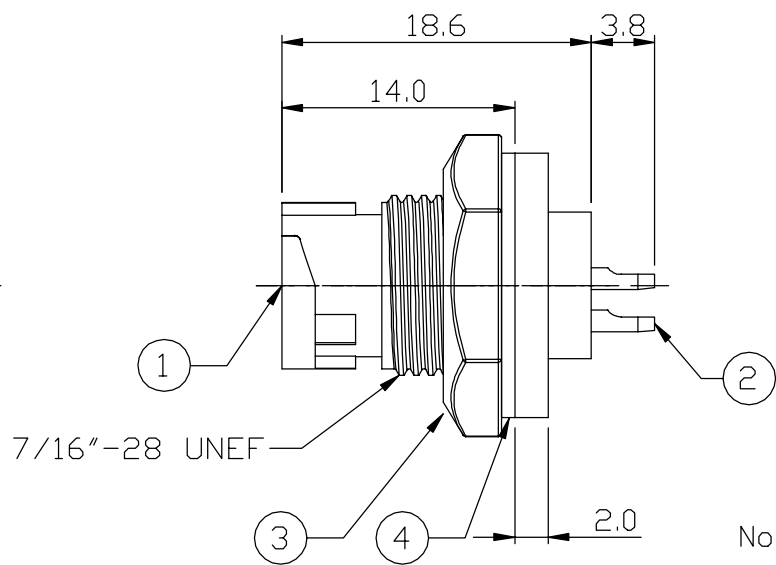
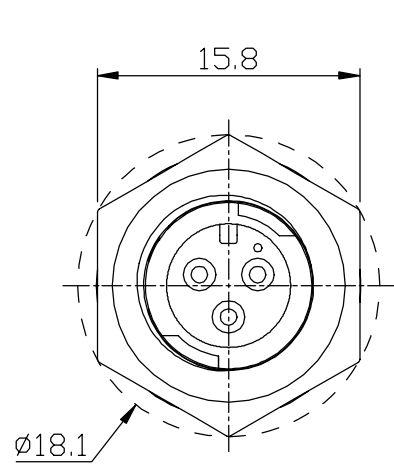


REV.	DESCRIPTION	DATE
A	RELEASE	Oct.15, 2018

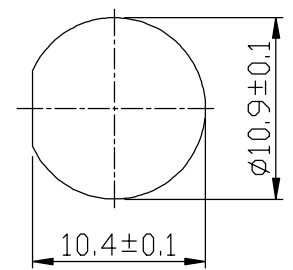


Notes: (Unless Otherwise Specified)

1. Waterproof Rate : IP67.
2. Recommend Panel Thickness : 0.8 to 4.0 mm.
3. Recommend Torque: 6.0~7.0 Kgf-cm.
4. RoHS Compliant.

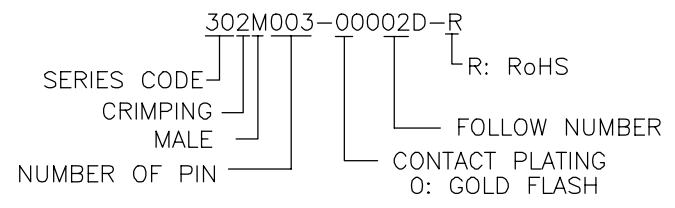
Materials:

5	Glue	Epoxy Color: Black	
4	Gasket	Silicone Color: Black	1
3	Hex Nut	Thermoplastic Color: Black	1
2	Contacts	Copper Alloy Finish: Au Plated	3
1	Housing	Thermoplastic Color: Black	1
Item	Part Name	Material / Finish	Q'ty



Recommended
Panel Cut-Out

Part Number Information:



TOLERANCE	
.0=±0.25	
.00=±0.15	
.000=±0.05	
ANG.=±3°	

DRAWER <i>EMER</i>
CHECK <i>JFONY</i>
APP'D <i>JFONY</i>
PRODUCT SPEC. ---
SCALE NONE
SIZE A5
SHEET 1 OF 1
REV. A

 ASTRON TECHNOLOGY CORP.	NAME
	C1 5A 3P PANEL MALE LOCK SOLDER
DRAW NO.	R302M003-00002D-R