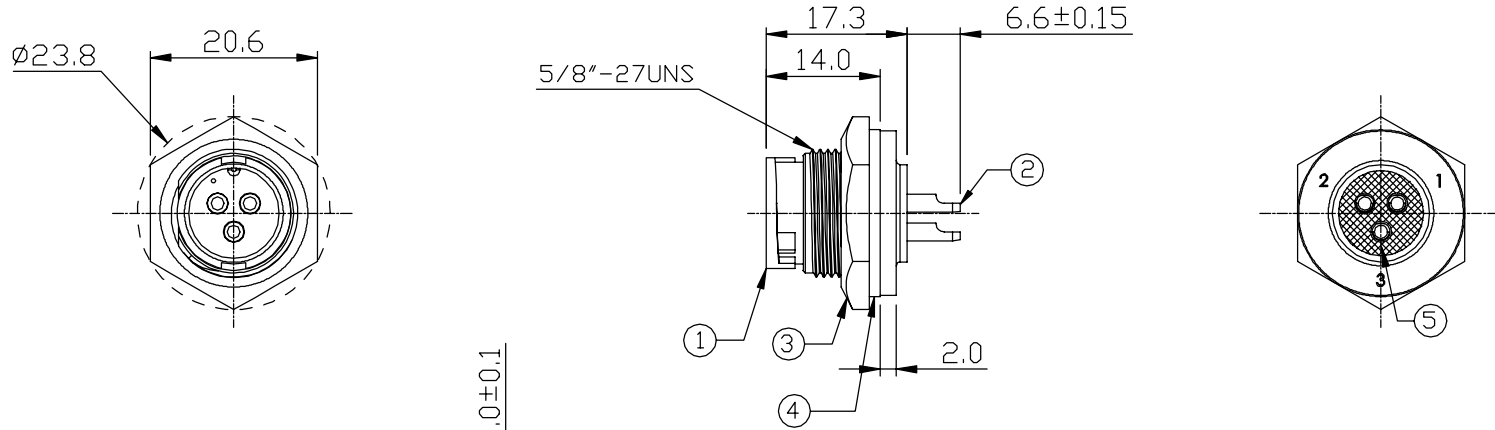


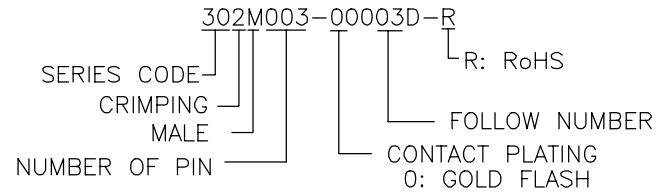
| REV. | DESCRIPTION | DATE |
|------|-------------|--------------|
| A | RELEASE | Oct.15, 2018 |
| | | |
| | | |



Notes: (Unless Otherwise Specified)

1. Waterproof Rate: IP67.
2. Recommend Panel Thickness: 0.8 to 4.0 mm.
3. Recommend Torque: 6.0~7.0 Kgf-cm.
4. RoHS Compliant.

Part Number Information:



Materials:

Recommend Panel Cut-Out

| | | | |
|------|-----------|-----------------------------------|------|
| 5 | Glue | Epoxy Color: Black | |
| 4 | Gasket | Silicone Color: Black | 1 |
| 3 | Hex Nut | Thermoplastic Color: Black | 1 |
| 2 | Contacts | Copper Alloy Finish: Au Plated | 3 |
| 1 | Housing | Thermoplastic Color: Black | 1 |
| Item | Part Name | Material/Finish | Q'ty |

| | | | | | |
|--|-----------------|-----------------------|--|-----------------------------|---|
| TOLERANCE .0=±0.25 .00=±0.15 .000=±0.05 ANG.=±3° | | DRAWER <i>CHER</i> | | ASTRON TECHNOLOGY CORP. | |
| UNITS : mm | | CHECK <i>JYONY</i> | | | NAME C2 10A 3P PANEL MALE SOLDER LOCK |
| SCALE NONE | | APP'D <i>JYONY</i> | | | DRAW NO. R302M003-00003D-R |
| SIZE A5 | SHEET 1 OF 1 | REV. A | | | |