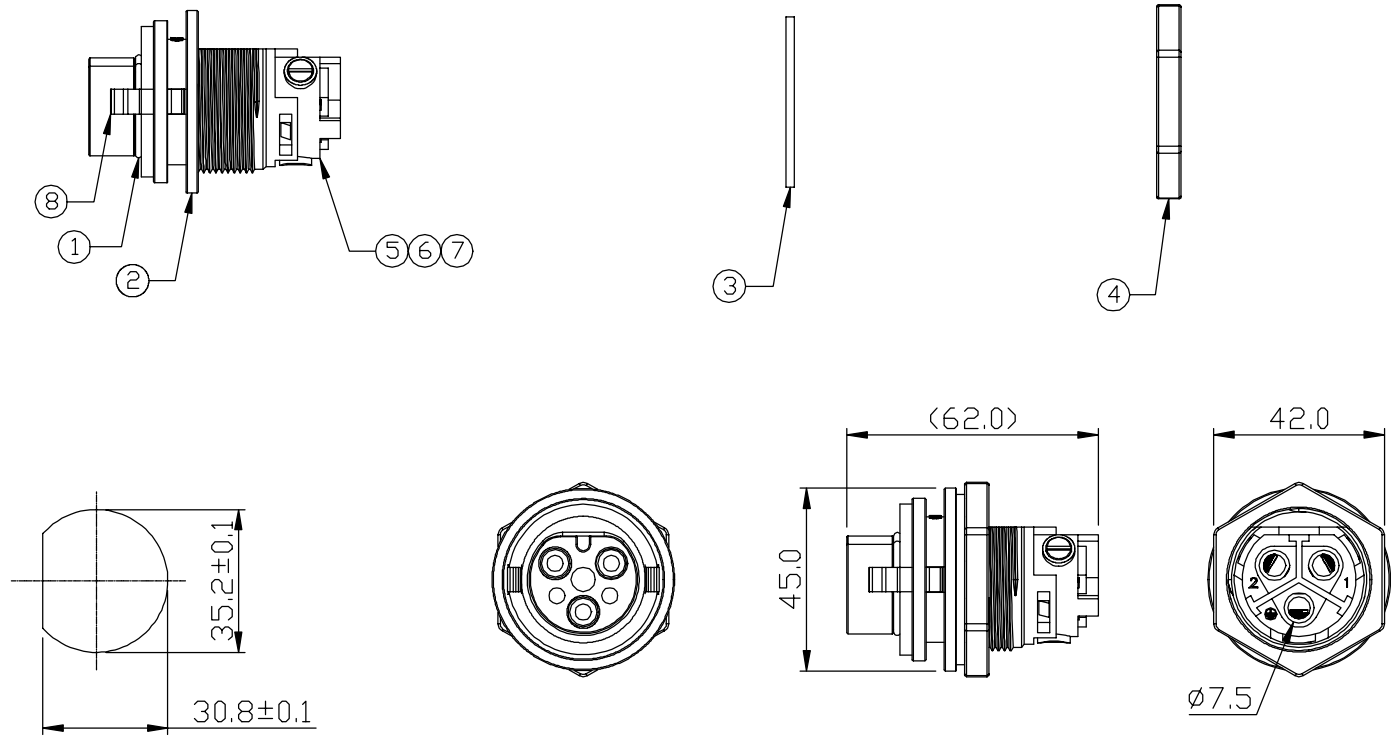


REV.	DESCRIPTION	DATE
A	RELEASE	Oct.15, 2018



Recommend  
Panel Cut-Out

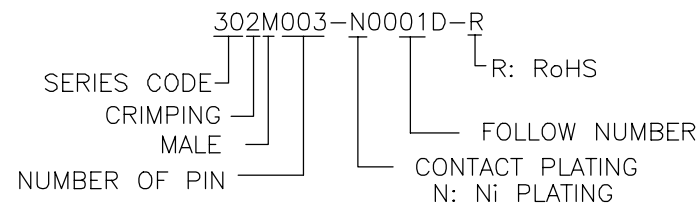
Notes: (Unless Otherwise Specified)

1. Waterproof Rate: IP67.
2. Recommend Panel Thickness: 0.8 to 6.0 mm.
3. Recommend Hex Nut Torque: 9~10 Kgf-cm.
4. RoHS Compliant.

Materials:

8	Clamp	Thermoplastic Color: Red	1
7	Machine Screw	S15C Finish: Ni Plated	3
6	Fixed lid Male 3P	Thermoplastic Color: Black	1
5	Contacts	Copper Alloy Finish: Ni Plated	3
4	Hex Nut	Thermoplastic Color: Black	1
3	Gasket	Silicone Color: Black	1
2	Housing	Thermoplastic Color: Black	1
1	O-Ring	Silicone Color: Red	1
Item	Part Name	Material / Finish	Q'ty

Part Number Information:



<b>TOLERANCE</b> .0=±0.25 .00=±0.15 .000=±0.05 ANG.=±3°		<b>DRAWER</b> <i>EXER</i>	 ASTRON TECHNOLOGY CORP.
		<b>CHECK</b> <i>JYUNY</i>	
<b>UNITS : mm</b>		<b>APP'D</b> <i>JYUNY</i>	<b>DRAW NO.</b> R302M003-N0001D-R
<b>SCALE</b> NONE	<b>SIZE</b> A5	<b>SHEET</b> 1 OF 1	