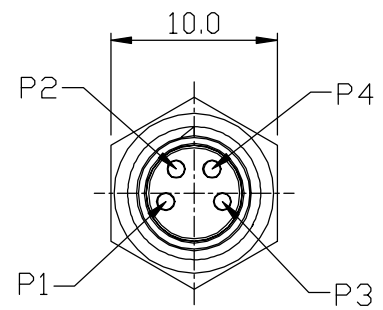
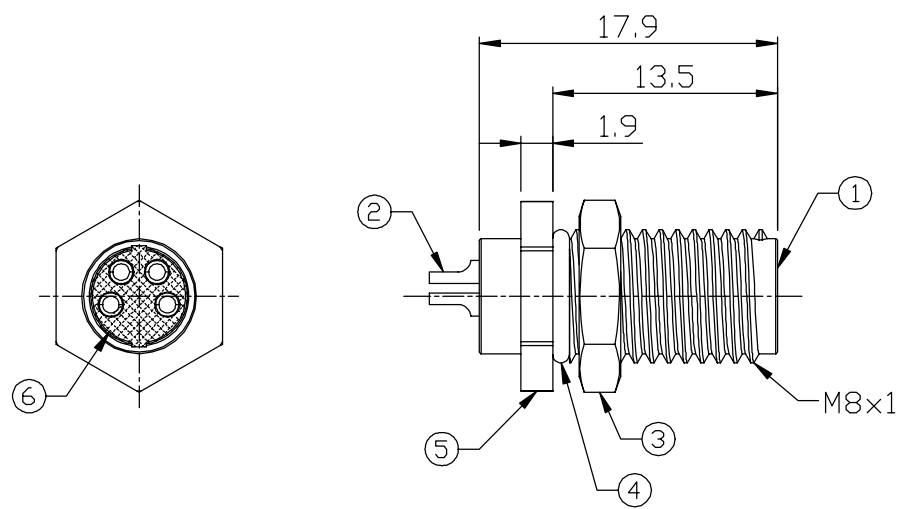


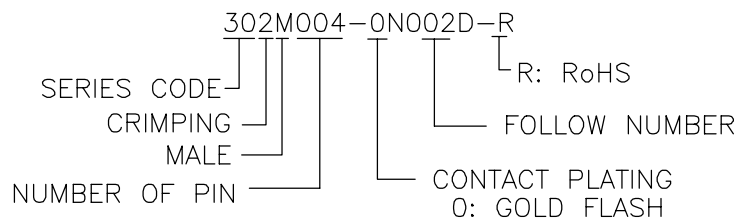
REV.	DESCRIPTION	DATE
A	RELEASE	Oct.15, 2018



Notes: (Unless Otherwise Specified)

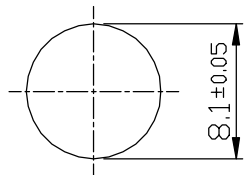
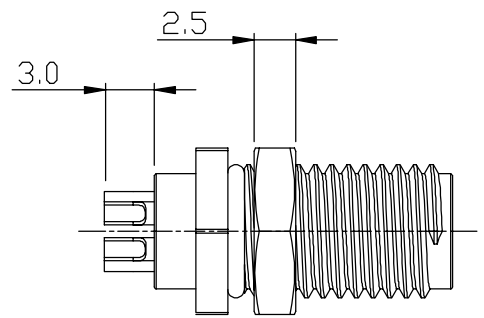
1. Waterproof Rate: IP68.
2. Recommend Panel Thickness: 0.8 To 4.0 mm.
3. Recommend Torque: 9~10 Kgf-cm.
4. Durability: 100 Cycles Min.
5. DWV: 650 Vrms.
6. Rated Voltage: 30V AC/DC.
7. Insulation Resistance: 100 MΩ Min.
8. RoHS Compliance.

Part Number Information:



Materials:

6	Glue	Epoxy Color: Black	
5	Metal Body	Copper Alloy Finish: Ni Plated	1
4	O-Ring	NBR Color: Black	1
3	Hex Nut	Copper Alloy Finish: Ni Plated	1
2	Contacts	Copper Alloy Finish: Au Plated	4
1	Housing	Thermal Plastic Color: Black	1
Item	Part Name	Material / Finish	Q'ty



Recommend Panel Cut-Out

<b>TOLERANCE</b> .0=±0.25 .00=±0.15 .000=±0.05 ANG.=±3°		<b>DRAWER</b> <i>EXER</i>		 ASTRON TECHNOLOGY CORP.	
<b>UNITS : mm</b>		<b>CHECK</b> <i>JFONY</i>			<b>NAME</b> M8 A-CODING 3A 4P PANEL FRONT MOUNT MALE SOLDER
		<b>APP'D</b> <i>JFONY</i>			
<b>SCALE</b> NONE	<b>SIZE</b> A5	<b>SHEET</b> 1 OF 1	<b>REV.</b> A		