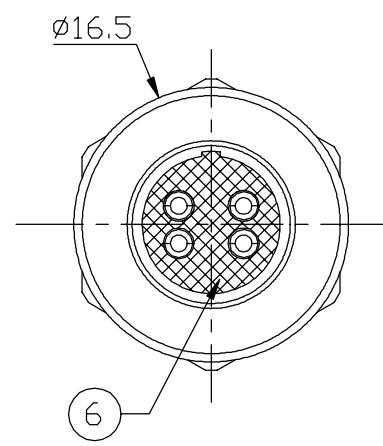
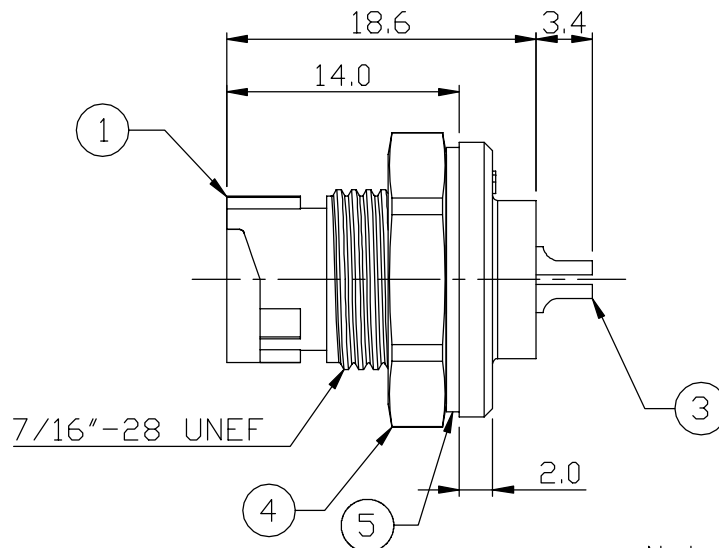
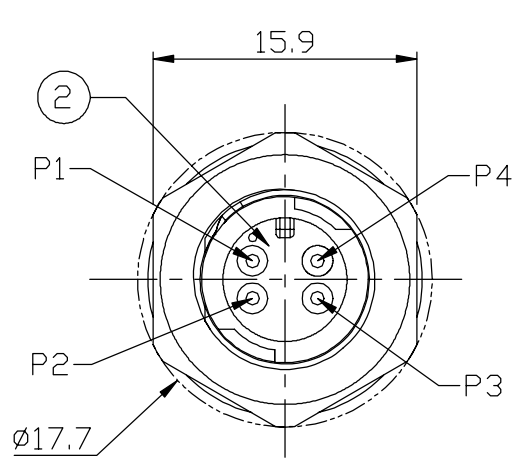


REV.	DESCRIPTION	DATE
A	RELEASE	Oct.15, 2018

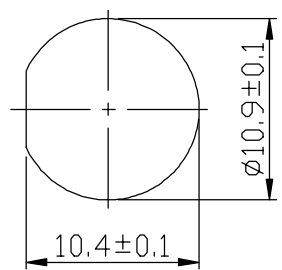


Notes: (Unless Otherwise Specified)

1. Waterproof Rate : IP68.
2. Recommend Panel Thickness : 0.8 to 4.0 mm
3. Recommend Torque: 9~10 Kgf-cm.
4. RoHS Compliant.

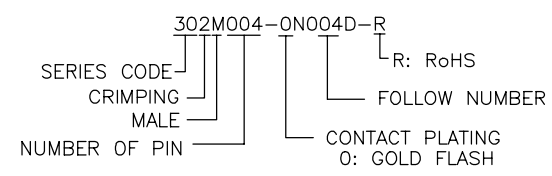
Materials:

6	Glue	Epoxy Color: Black	
5	Gasket	Silicone Color: Black	1
4	Metal Hex Nut	Copper Alloy Finish: Ni Plated	1
3	Contacts	Copper Alloy Finish: Au Plated	4
2	Housing	Thermoplastic Color: Black	1
1	Metal Body	Zn Alloy Finish: Ni Plated	1
Item	Part Name	Material / Finish	Q'ty



Recommended  
Panel Cut-Out

Part Number Information:



TOLERANCE .0=±0.25 .00=±0.15 .000=±0.05 ANG.=±3°		DRAWER <i>EXER</i>		 ASTRON TECHNOLOGY CORP. NAME C1 MAEAL 2A 4P PANEL MALE SOLDER LOCK
 UNITS : mm		CHECK <i>JYONY</i>		
		APP'D <i>JYONY</i>		DRAW NO.
SCALE NONE		SIZE A5	SHEET 1 OF 1	REV. A
				R302M004-0N004D-R