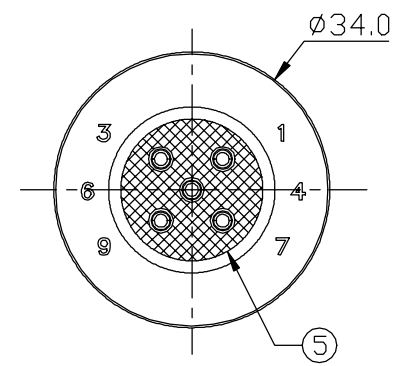
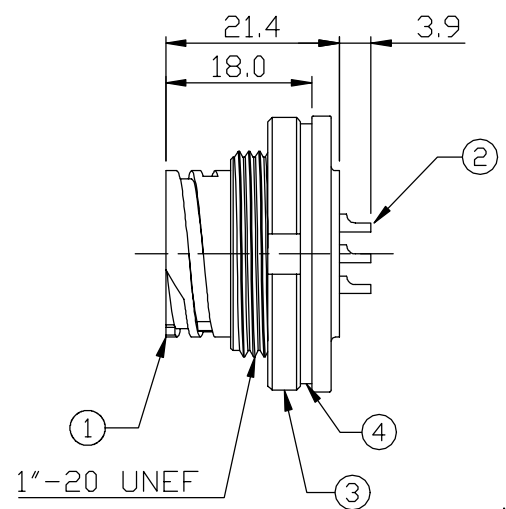
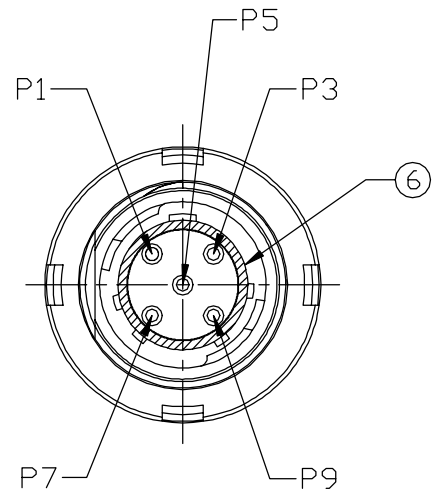


REV.	DESCRIPTION	DATE
A	RELEASE	Oct.15, 2018

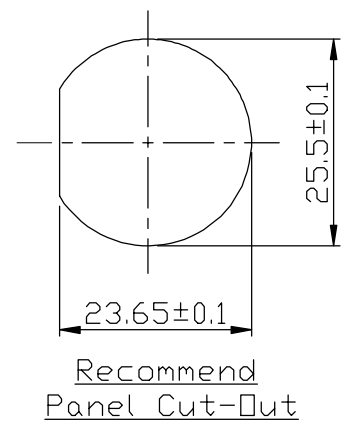


Notes: (Unless Otherwise Specified)

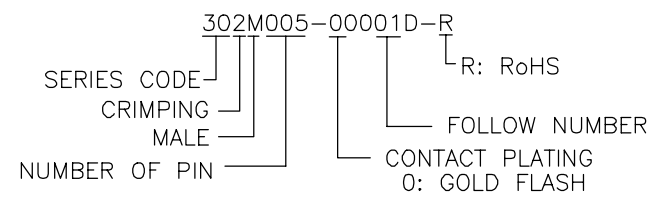
1. Waterproof Rate: IP67.
2. Recommend Panel Thickness: 0.8 to 4.0 mm.
3. Recommend Torque: 6.0~7.0 Kgf-cm.
4. RoHS Compliant.

Materials:

6	O-Ring	Silicone Color: Red	1
5	Glue	Epoxy Color: Black	1
4	Gasket	Silicone Color: Black	1
3	Spanner Nut	Thermoplastic Color: Black	1
2	Contacts	Copper Alloy Finish: Gold Flash	5
1	Housing	Thermoplastic Color: Black	1
Item	Part Name	Material / Finish	Q'ty



Part Number Information:



TOLERANCE .0=±0.25 .00=±0.15 .000=±0.05 ANG.=±3°	DRAWER <i>EXER</i>	 Astron ASTRON TECHNOLOGY CORP.	
	CHECK <i>JYONY</i>		NAME C4 10A 5P PANEL MALE SOLDER TWIST LOCK
APP'D <i>JYONY</i>	PRODUCT SPEC. —		DRAW NO. R302M005-00001D-R
UNITS : mm ⌀	SCALE NONE		SIZE A5
SHEET 1 OF 1	REV. A	SHEET 1 OF 1	