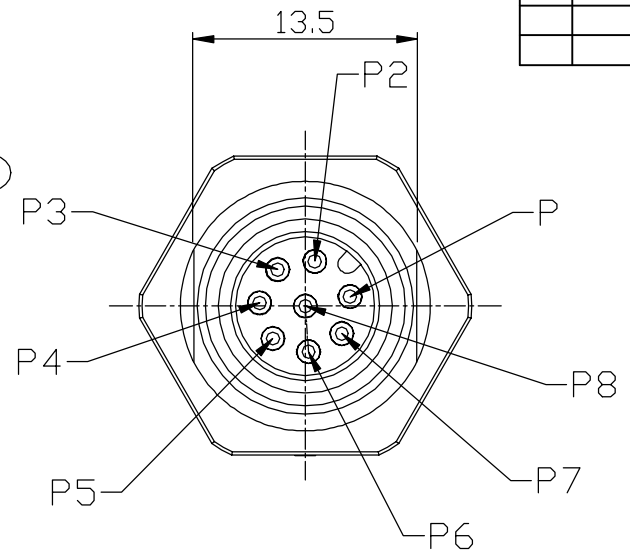
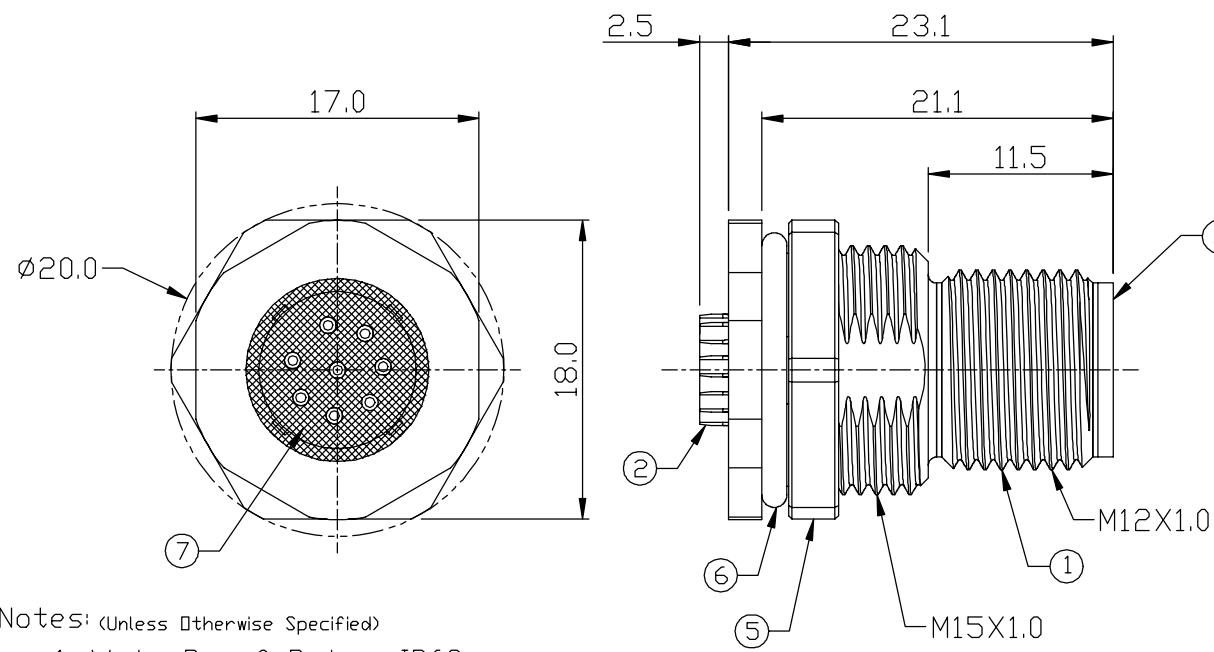


REV.	DESCRIPTION	DATE
A	RELEASE	Oct.15, 2018

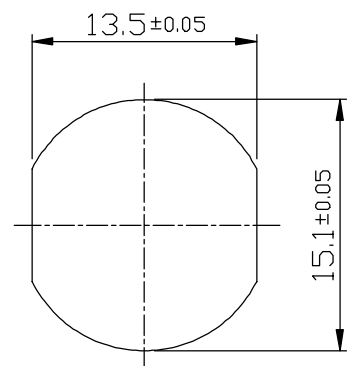


Notes: (Unless Otherwise Specified)

1. Waterproof Rate : IP68
2. Recommend Panel Thickness: 0.8 to 5.0 mm
3. Recommend Torque: 9~10 Kgf-cm
4. Durability: 100 Cycles Min.
5. DWV: 650 Vrms
6. Rated Voltage: 30V AC/DC
7. Insulation Resistance: 100 MΩ Min.
8. RoHS Compliance.

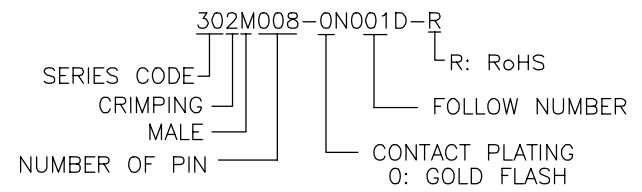
Materials:

Item	Part Name	Material / Finish	Q'ty
7	Glue	Epoxy Color: Black	1
6	□-Ring	NBR Color: Black	1
5	Hex Nut	Copper Alloy Finish: Ni Plated	1
4	Base	Thermal Plastic Color: Black	1
3	Housing	Thermal Plastic Color: Black	1
2	Contacts	Copper Alloy Finish: Au Plated	8
1	Shielding Case	Copper Alloy Finish: Ni Plated	1



Recommend Panel Cut-Out

Part Number Information:



TOLERANCE .0=±0.25 .00=±0.15 .000=±0.05 ANG.=±3°	DRAWER <i>EXER</i>	 ASTRON TECHNOLOGY CORP.
	CHECK <i>JYUNY</i>	
 UNITS : mm	APP'D <i>JYUNY</i>	DRAW NO. R302M008-0N001D-R
	PRODUCT SPEC. —	SCALE NONE
SCALE NONE	SHEET 1 OF 1	REV. A