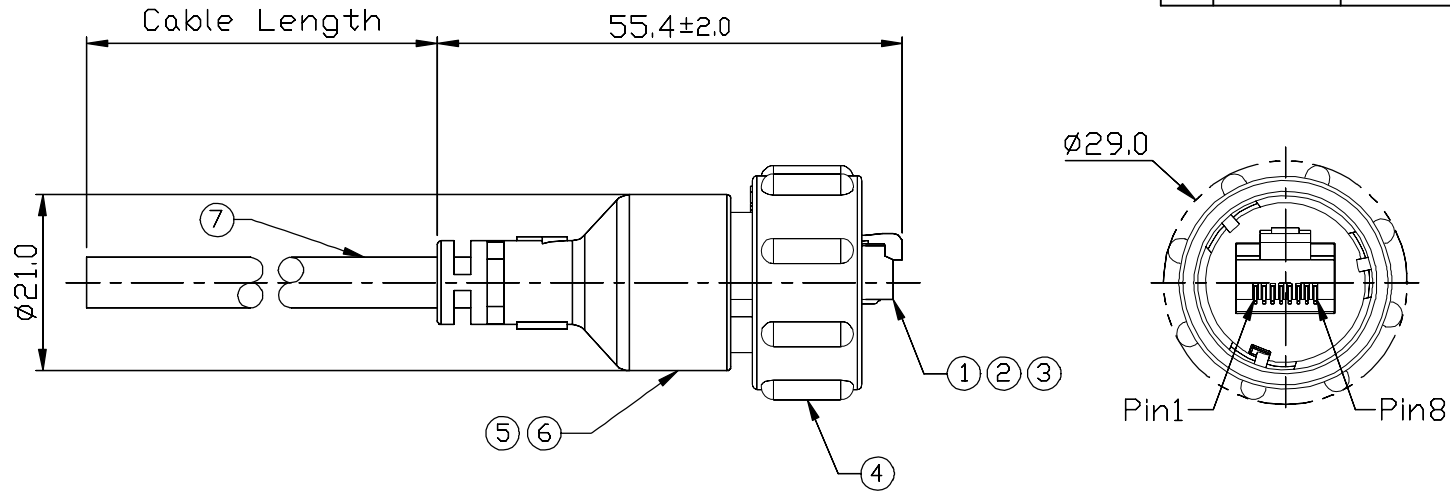


REV.	DESCRIPTION	DATE
A	RELEASE	Oct.10, 2018

Part No.	Cable Length	Tol.
DYM0005003-R	500 mm	±40
DYM0010003-R	1000 mm	±50
DYM0020003-R	2000 mm	±100
DYM0030003-R	3000 mm	±150
DYM0040003-R	4000 mm	±200
DYM0050003-R	5000 mm	±250
DYM0060003-R	6000 mm	±300
DYM0070003-R	7000 mm	±350
DYM0080003-R	8000 mm	±400
DYM0090003-R	9000 mm	±450
DYM0000003-R	10000 mm	±500
DYM002F003-R	25000 mm	±500



Materials:

Item	Part Name	Material/Finish	Q'ty
1	Housing	Thermal Plastic Color: Black	1
2	RJ45 Plug	Shell: Cold Roll Steel Finish: Ni Plated	1
		Thermal Plastic Color: Clean	1
		Contacts: Copper Alloy Finish: Au Plated	8
3	Rubber Pad	Silicone Color: Black	1
4	Lock Nut	Zn Alloy Finish: Ni Plated	1
5	Inner Mold	Thermal Plastic Color: White	1
6	Over Mold	PVC Color: Black	1
7	Cable	CAT5E 24AWG*4P+MEA, OD=6.0±0.2mm Color: Black	1

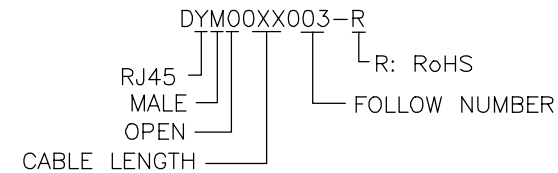


Wiring Diagram

Noles (Unless Otherwise Specified)

1. Waterproof Rate: IPX8(Mating)
2. RoHS Compliance.

Part Number Information:



TOLERANCE .0=±0.50 .00=±0.20 .000=±0.05 ANG.=±1°	DRAWER <i>EXER</i>	 ASTRON TECHNOLOGY CORP.
	CHECK <i>JYUNY</i>	
 UNITS : mm	APP'D <i>JYUNY</i>	DRAW NO. DYM00XX003-R
	PRODUCT SPEC. —	SCALE NONE SIZE A5 SHEET 1 OF 1 REV. A