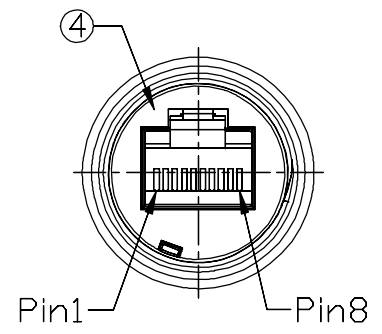
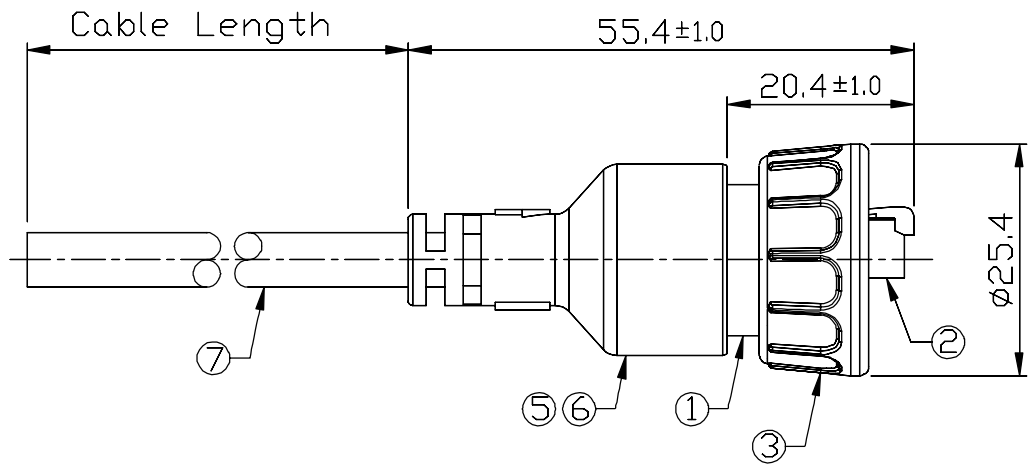


REV.	DESCRIPTION	DATE
A	RELEASE	Oct.10, 2018



Wiring Diagram



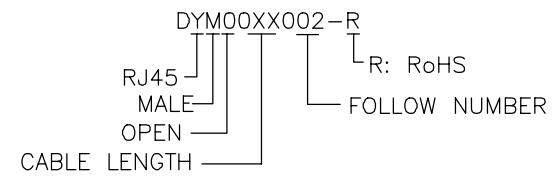
Notes: (Unless Otherwise Specified)

1. Waterproof Rate: IPX7(Mating)
2. RoHS Compliance.

Item	Part Name	Material/Finish	Q'ty
1	Housing	Thermal Plastic Color: Black	1
2	RJ45 Plug	Shell: Cold Roll Steel Finish: Ni Plated	1
		Housing: Thermal Plastic Color: Clean Contacts: Copper Alloy Finish: Au Plated	8
3	Screw Nut	Thermal Plastic Color: Black	1
4	Rubber Pad	Silicone Color: Black	1
5	Inner Mold	Thermal Plastic Color: White	1
6	Over Mold	PVC Color: Black	1
7	Cable	UL 2835 4P*24AWG+MEA Color: Black, ØD=6.0mm	1

Part No.	Cable Length	Tol.
DYM0003002-R	300 mm	±40
DYM0005002-R	500 mm	±40
DYM0010002-R	1000 mm	±50
DYM0020002-R	2000 mm	±100
DYM0030002-R	3000 mm	±150
DYM0040002-R	4000 mm	±200
DYM0050002-R	5000 mm	±250
DYM0060002-R	6000 mm	±300
DYM0070002-R	7000 mm	±350
DYM0080002-R	8000 mm	±400
DYM0090002-R	9000 mm	±450
DYM0000002-R	10000 mm	±500

Part Number Information:



<b>TOLERANCE</b> .0=±0.50 .00=±0.20 .000=±0.05 ANG.=±1°	<b>DRAWER</b> <i>EXR</i>	 ASTRON TECHNOLOGY CORP.
	<b>CHECK</b> <i>JYNY</i>	
 UNITS : mm	<b>APP'D</b> <i>JYNY</i>	<b>DRAW NO.</b> DYM00XX002-R
	<b>PRODUCT SPEC.</b> —	<b>SHEET</b> 1 OF 1
<b>SCALE</b> NONE	<b>SIZE</b> A5	