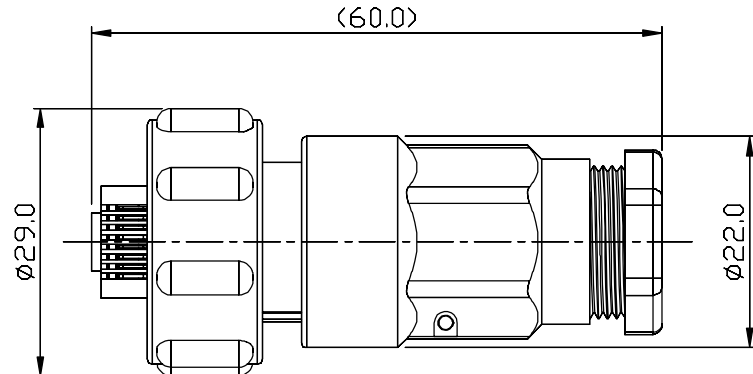
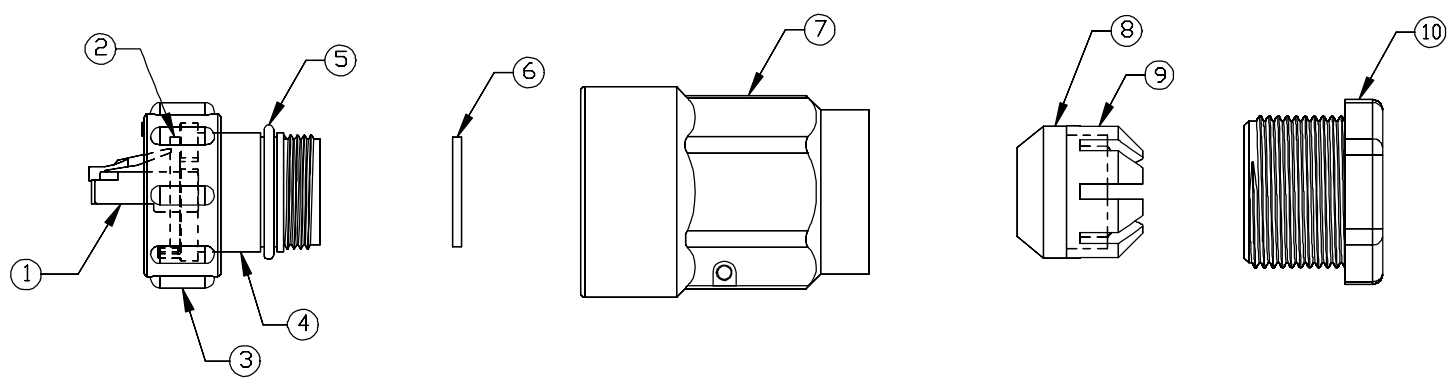


REV.	DESCRIPTION	DATE
A	RELEASE	Oct.10, 2018



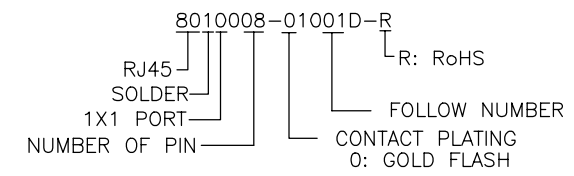
Notes: (Unless Otherwise Specified)

1. Waterproof Rate: IP68.
2. Suitable Cable OD=4.0mm To 6.0 mm.
3. Recommend Cover Torque: 6~7 Kgf-cm.
4. Recommend Gland Nut Torque: 9~10 Kgf-cm.
5. RoHS Compliant.

Materials:

Item	Part Name	Material / Finish	Q'ty
10	Gland Nut	Thermoplastic Color: Black	1
9	Cage	Thermoplastic Color: White	1
8	Gland	Silicone Color: Green	1
7	Cover	Thermoplastic Color: Black	1
6	Gasket	Silicone Color: Black	1
5	O-Ring	Silicone Color: Red	1
4	Housing	Thermoplastic Color: Black	1
3	Lock Nut	Zn Alloy Finish: Ni Plated	1
2	Rubber Pad	Silicone Color: Black	1
1	RJ45 Plug	Housing: Thermoplastic, Color: Clean Contacts: Copper Alloy, Finish: Au Plated Shell: Cold Roll Steel, Finish: Ni Plated	1

Part Number Information:



TOLERANCE .0=±0.50 .00=±0.20 .000=±0.05 ANG.=±1°	DRAWER <i>EXER</i>	 ASTRON TECHNOLOGY CORP.
	CHECK <i>JYONY</i>	
 UNITS : mm	APP'D <i>JYONY</i>	DRAW NO. R8010008-01001D-R
	SCALE NONE	SIZE A5
REV. A		PRODUCT SPEC. —