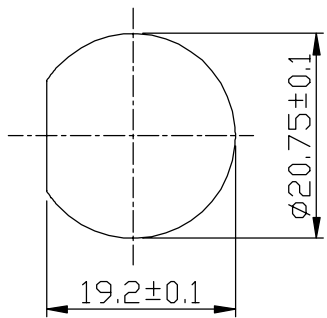


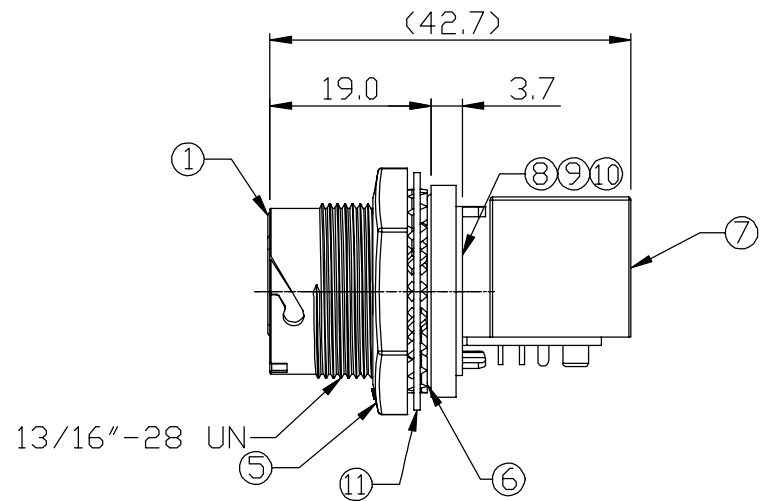
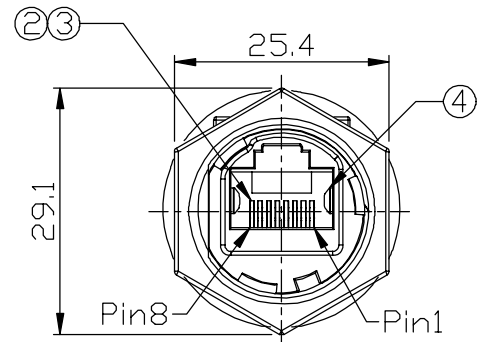
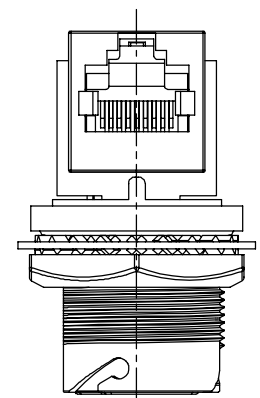
REV.	DESCRIPTION	DATE
A	RELEASE	Sep.12, 2018



Recommend
Panel Cut-Out

Materials:

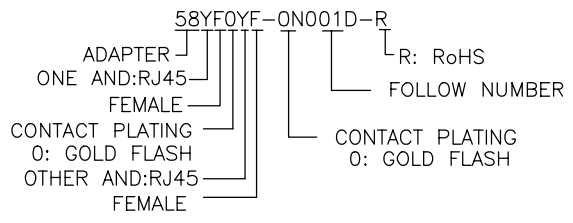
11	Washer	Stainless Finish: —	1
10	Glue	Epoxy Color: Black	1
9	PCB	FR-4 Color: -	1
8	Holder	Thermoplastic Color: Black	1
7	RJ45 Receptacle	Shell: Copper Alloy; Finish: Ni Plated	1
		Housing: Thermoplastic; Color: Black	
		Contacts: Copper Alloy; Finish: Au Plated	
6	O-Ring	Silicone Color: Red	1
5	Hex Nut	Zn Alloy Finish: Ni Plated	1
4	EMI Shielded Plate	Copper Alloy Finish: Ni Plated	2
3	Holder	Thermoplastic Color: Black	1
2	RJ45 Receptacle	Housing: Thermoplastic; Color: Gray	1
		Contacts: Copper Alloy; Finish: Au Plated	
1	Housing	Zn Alloy Finish: Ni Plated	1
Item	Part Name	Material / Finish	Q'ty



Notes: (Unless Otherwise Specified)

1. Waterproof Rate: IP68.
2. Recommend Panel Thickness: 0.8 to 8.0 mm.
3. Recommend Torque: 19~20 Kgf-cm.
4. RoHS Compliant.

Part Number Information:



TOLERANCE		DRAWER		 ASTRON TECHNOLOGY CORP.
.0=±0.50		CHKD		
.00=±0.20		APP'D		
.000=±0.05		PRODUCT SPEC.		NAME
ANG.=±1°		UNITS : mm		RJ45 METAL C3 SHIELDED PANEL LOCK WITH COUPLER 90°
		SCALE NONE		DRAW NO.
SIZE A5		SHEET 1 OF 1		R58YFOYF-0N001D-R
REV. A		REV. A		