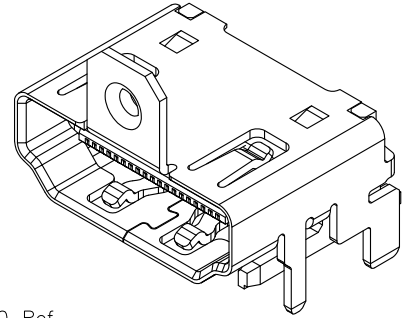
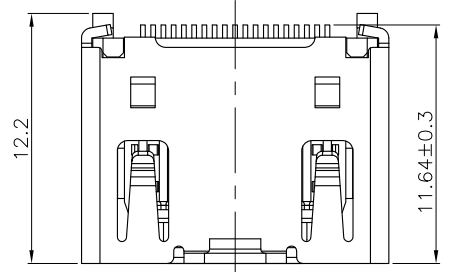


REV.	DESCRIPTION	DATE
1	PRELIMINARY	Oct. 19, 2018



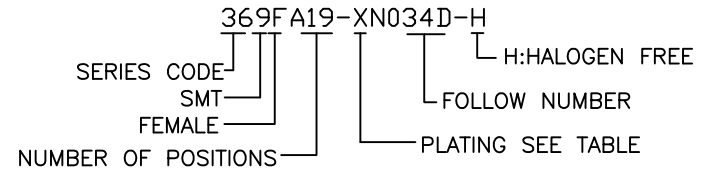
MATERIALS

- HOUSING : HI.-TEMP.PLASTIC(UL 94V-0), BLACK.
- TERMINAL : COPPER ALLOY,
PLATING : GOLD PLATED ON CONTACT AREA,
TIN PLATED ON SOLDER TAILS.
- SHELL : COPPER ALLOY,
PLATING : NICKEL PLATED OVERALL.

SPECIFICATION

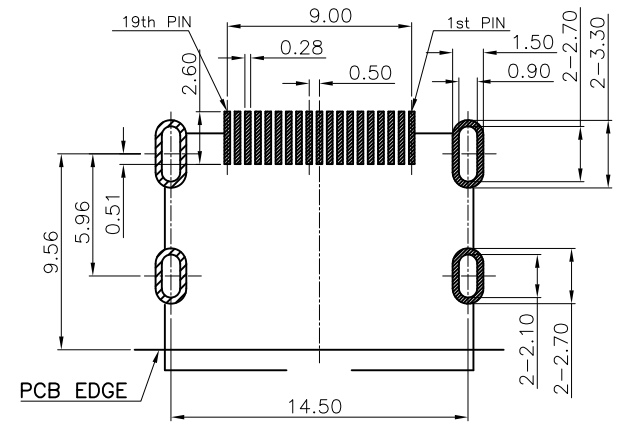
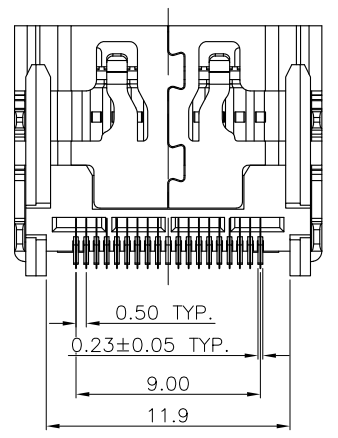
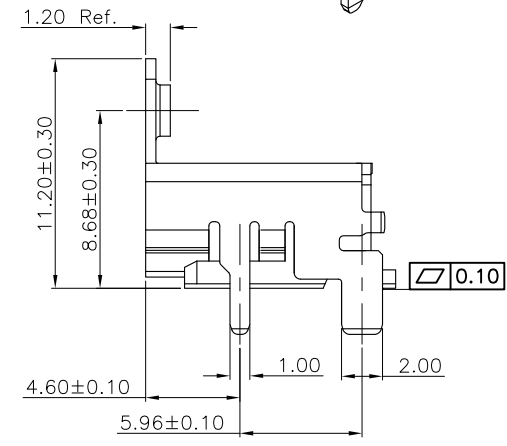
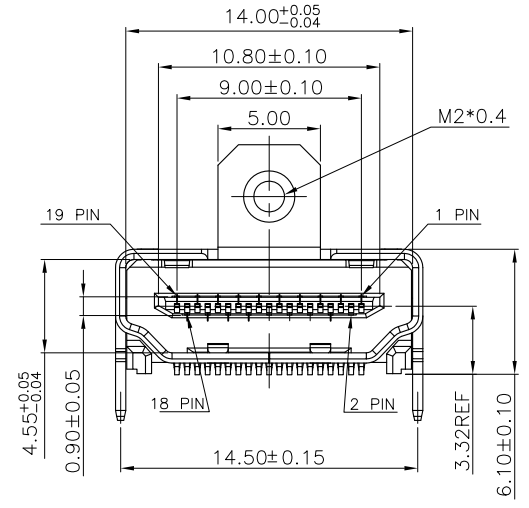
- CURRENT RATING : 0.5 A. MAX.
- DIELECTRIC WITHSTANDING VOLTAGE :
500V AC R.M.S. FOR 1 MINUTE.
- INSULATION RESISTANCE : 100MΩ MIN.AT 500V DC.
- CONTACT RESISTANCE : 30mΩ MAX.
- OPERATING TEMPERATURE : -25°C TO +85°C.
- INSERTION FORCE : 4.5Kgf MAX.
- WITHDRAWING FORCE : 1Kgf ~ 4Kgf.

PART NUMBER INFORMATION :



DESCRIPTION OF PLATING ON TERMINALS			
NO.	EXPLAIN	NO.	EXPLAIN
0	GOLD FLASH	3	GOLD 15u"
6	GOLD 30u"		

TOLERANCE .0=±0.25 .00=±0.15 .000=±0.05 ANG.=±3°	DRAWER <i>Shen</i>	 ASTRON TECHNOLOGY CORP.		
	CHECK <i>Shen</i>		NAME HDMI A 2.1 TYPE FEMALE WITH FLANGE(H=8.68)	
APP'D <i>Shen</i>	PRODUCT SPEC. _____		DRAW NO. 369FA19-XN034D-H	
UNITS : mm	SCALE NONE	SIZE A7	SHEET 1 OF 1	REV. 1



RECOMMEND PCB LAYOUT
TOLERANCE: ±0.05
TOP VIEW