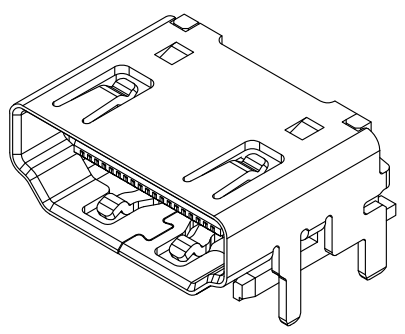
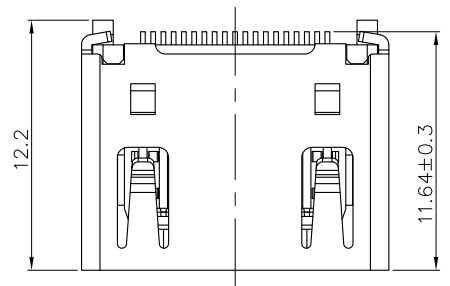


REV.	DESCRIPTION	DATE
1	PRELIMINARY	Sep. 26, 2018



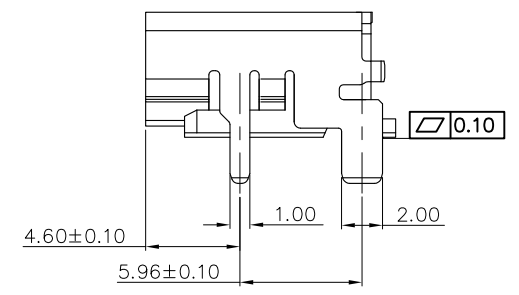
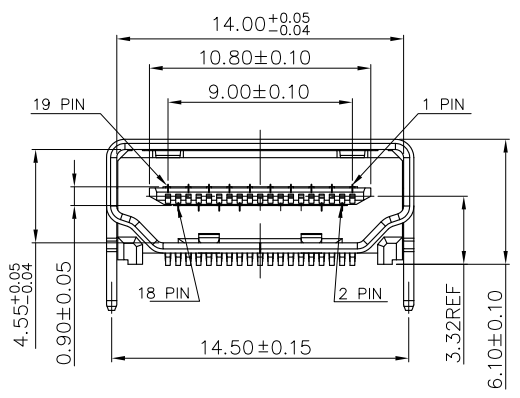
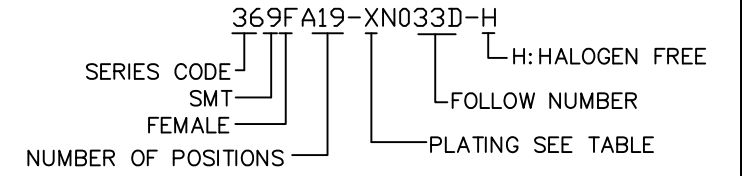
MATERIALS

- HOUSING : HI.-TEMP.PLASTIC(UL 94V-0), BLACK.
- TERMINAL : COPPER ALLOY,
PLATING : GOLD PLATED ON CONTACT AREA,
TIN PLATED ON SOLDER TAILS.
- SHELL : COPPER ALLOY,
PLATING : NICKEL PLATED OVERALL.

SPECIFICATION

- CURRENT RATING : 0.5 A. MAX.
- DIELECTRIC WITHSTANDING VOLTAGE :
500V AC R.M.S. FOR 1 MINUTE.
- INSULATION RESISTANCE : 100MΩ MIN.AT 500V DC.
- CONTACT RESISTANCE : 30mΩ MAX.
- OPERATING TEMPERATURE : -25°C TO +85°C.
- INSERTION FORCE : 4.5Kgf MAX.
- WITHDRAWING FORCE : 1Kgf ~ 4Kgf.

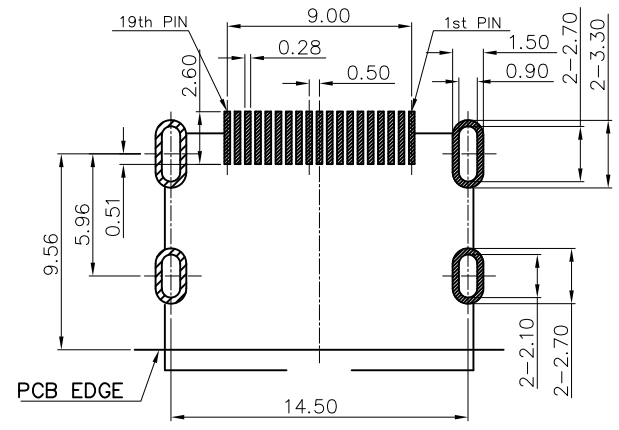
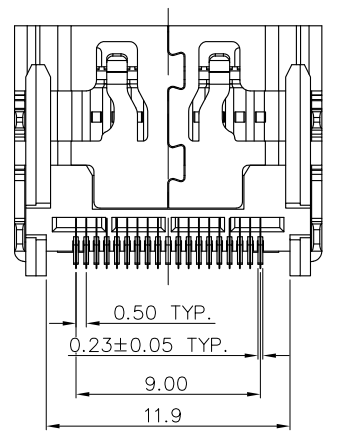
PART NUMBER INFORMATION :



DESCRIPTION OF PLATING ON TERMINALS

NO.	EXPLAIN	NO.	EXPLAIN
0	GOLD FLASH	3	GOLD 15u"
6	GOLD 30u"		

TOLERANCE .0=±0.25 .00=±0.15 .000=±0.05 ANG.=±3°	DRAWER <i>Shen</i>	 ASTRON TECHNOLOGY CORP.
	CHECK <i>Shen</i>	
 PRODUCT SPEC.	APP'D <i>Shen</i>	HDMI A 2.1 TYPE FEMALE
UNITS : mm		DRAW NO.
SCALE NONE	SIZE A7	R369FA19-XN033D-H
SHEET 1 OF 1	REV. 1	



RECOMMEND PCB LAYOUT
TOLERANCE: ±0.05
TOP VIEW