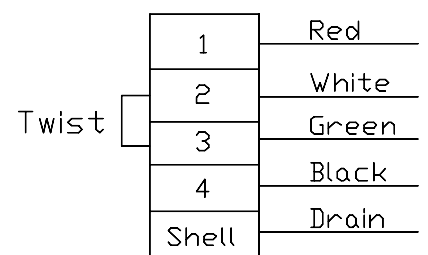
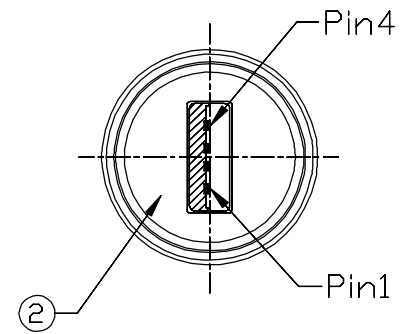
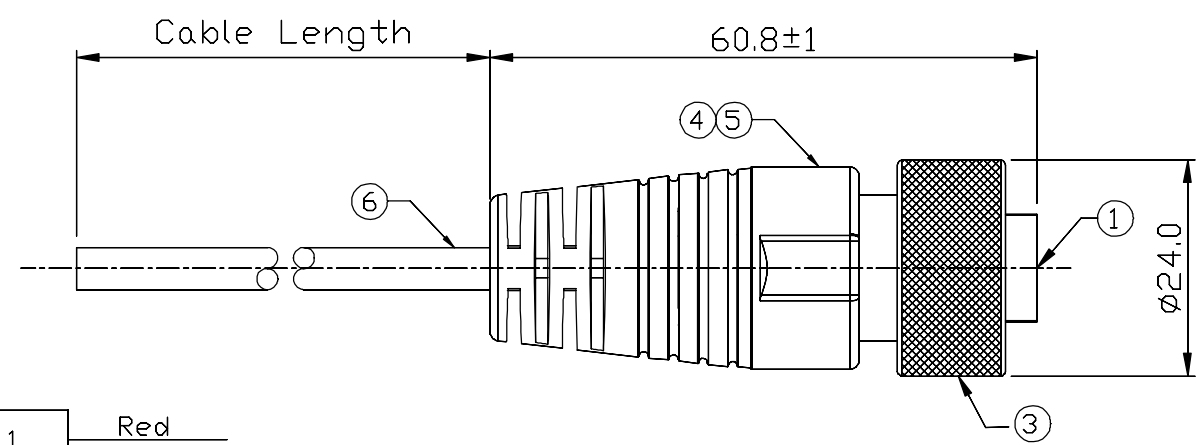


REV.	DESCRIPTION	DATE
A	RELEASE	Oct.10, 2018

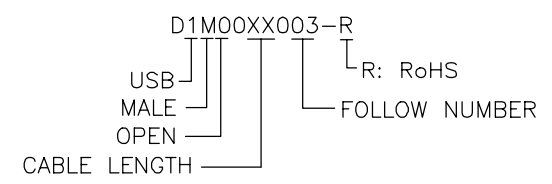


Wiring Diagram

D1M0000003-R	10000 mm	±500
D1M0090003-R	9000 mm	±450
D1M0080003-R	8000 mm	±400
D1M0070003-R	7000 mm	±350
D1M0060003-R	6000 mm	±300
D1M0050003-R	5000 mm	±250
D1M0040003-R	4000 mm	±200
D1M0030003-R	3000 mm	±150
D1M0020003-R	2000 mm	±100
D1M0010003-R	1000 mm	±50
D1M0009003-R	900 mm	±40
D1M0008003-R	800 mm	±40
D1M0007003-R	700 mm	±40
D1M0006003-R	600 mm	±40
D1M0005003-R	500 mm	±50
D1M0004003-R	400 mm	±20
D1M0003003-R	300 mm	±10
D1M0002003-R	200 mm	±10
Part No.	Cable Length	Tol.

Notes: (Unless Otherwise Specified)
 1. Waterproof Rate: IP68.
 2. RoHS Compliant.

Part Number Information:



6	Cable	UL2725 1P*28AWG+2C*24AWG+Al/My+D+B(UV) Color: Black,OD=5.0mm	1
5	Over Mold	PVC Color: Black	1
4	Inner Mold	Thermoplastic Color: Black	1
3	Metal Screw Nut	Copper Alloy Finish: Ni Plated	1
2	Rubber Pad	Silicone Color: Black	1
1	USB-A Plug	Housing: Thermoplastic, Color: Black Contacts: Copper Alloy, Finish: Au Plated Shell: SPCC, Finish: Ni Plated	1
Item	Part Name	Material / Finish	Q'ty

TOLERANCE .0=±0.50 .00=±0.20 .000=±0.05 ANG.=±1°	DRAWER <i>EXER</i>	 ASTRON TECHNOLOGY CORP.
	CHECK <i>JFONY</i>	
 UNITS : mm	APP'D <i>JFONY</i>	DRAW NO. D1M00XX003-R
	SCALE NONE	SIZE A5
REV. A		