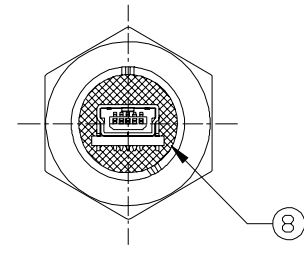
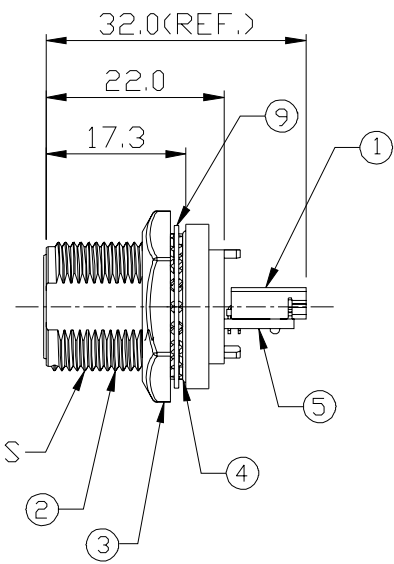
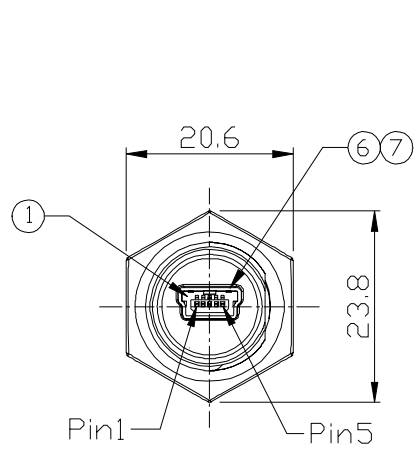


REV.	DESCRIPTION	DATE
A	RELEASE	Sep.03, 2018

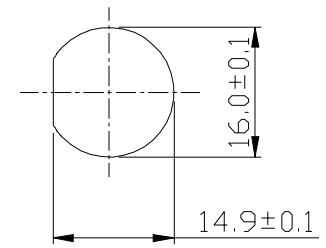


Notes: (Unless Otherwise Specified)

1. Waterproof Rate: IP68.
2. Recommend Panel Thickness: 0.8 to 8.0 mm.
3. Recommend Torque: 19~20 Kgf-cm.
4. RoHS Compliant.

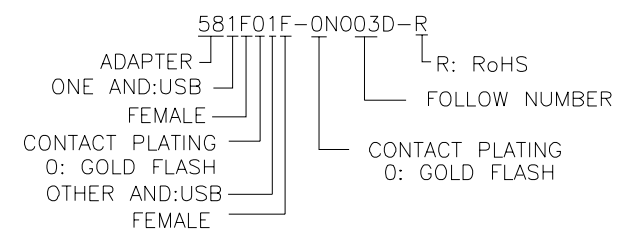
Materials:

9	Metal Washer	Stainless Finish: —	1
8	Glue	Epoxy Color: Black	
7	Holder	Thermoplastic Color: Black	1
6	EMI Shielded Plate	Copper Alloy Finish: Ni Plated	1
5	PCB	FR-4 Color: —	1
4	O-Ring	Silicone Color: Red	1
3	Hex Nut	Zn Alloy Finish: Ni Plated	1
2	Housing	Zn Alloy Finish: Ni Plated	1
1	Mini USB-B Receptacle	Housing: Thermoplastic, Color: Black Contacts: Copper Alloy, Finish: Au Plated Shell: Copper Alloy, Finish: Ni Plated	2
Item	Part Name	Material / Finish	Q'ty



Recommend Panel Cut-Out

Part Number Information:



<b>TOLERANCE</b> .0=±0.50 .00=±0.20 .000=±0.05 ANG.=±1°	<b>DRAWER</b> <i>EXER</i>	 ASTRON TECHNOLOGY CORP.
	<b>CHECK</b> <i>JYONY</i>	
 UNITS : mm	<b>APP'D</b> <i>JYONY</i>	<b>DRAW NO.</b> R581F01F-0N003D-R
	<b>PRODUCT SPEC.</b> —	<b>SCALE</b> NONE
<b>SIZE</b> A5	<b>SHEET</b> 1 OF 1	<b>REV.</b> A