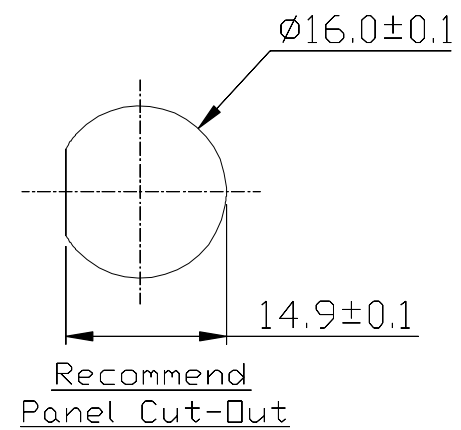
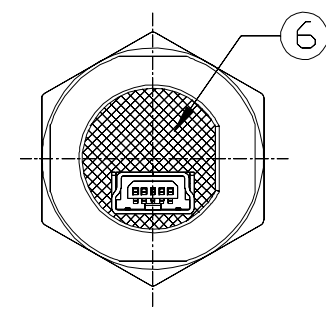
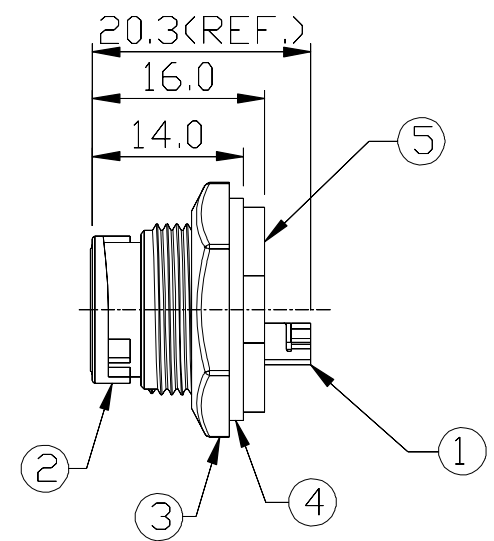
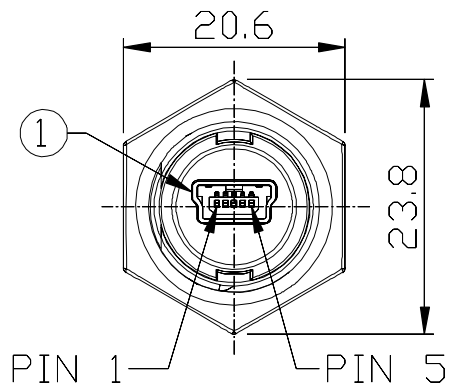


REV.	DESCRIPTION	DATE
A	RELEASE	Aug.31, 2018



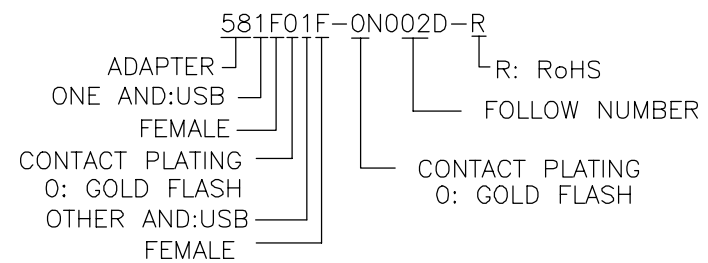
Materials:

Notes: (Unless Otherwise Specified)

1. Waterproof Rate : IP67.
2. Recommend Panel Thickness: 0.8 to 3.0 mm.
3. Recommend Torque: 6~7 Kg.
4. RoHS Compliance

Item	Part Name	Material/Finish	Q'ty
1	Mini USB-B Receptacle	Housing: Thermal Plastic Color: Black	2
		Contacts: Copper Alloy Finish: Au Plated	
		Shell: Copper Alloy Finish: Ni Plated	
2	Housing	Thermal Plastic Color: Black	1
3	Hex Nut	Thermal Plastic Color: Black	1
4	Gasket	Silicone Color: Black	1
5	PCB	FR-4 Color: Green	1
6	Glue	Epoxy Color: Black	

Part Number Information:



TOLERANCE .0=±0.50 .00=±0.20 .000=±0.05 ANG.=±1°	DRAWER <i>EXER</i>	 ASTRON TECHNOLOGY CORP.
	CHECK <i>JYUNY</i>	
 UNITS : mm	APP'D <i>JYUNY</i>	DRAW NO. 581F01F-0N002D-R
	PRODUCT SPEC. —	SHEET 1 OF 1
SCALE NONE	SIZE A5	REV. A