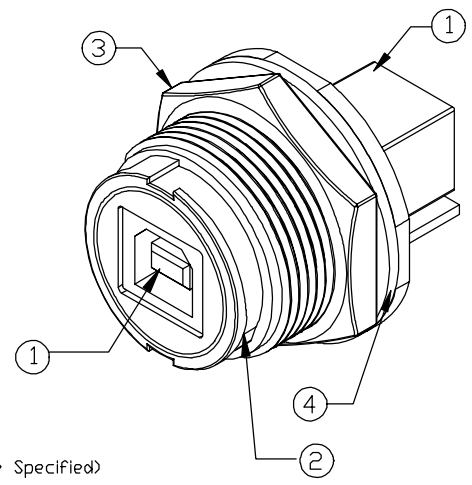
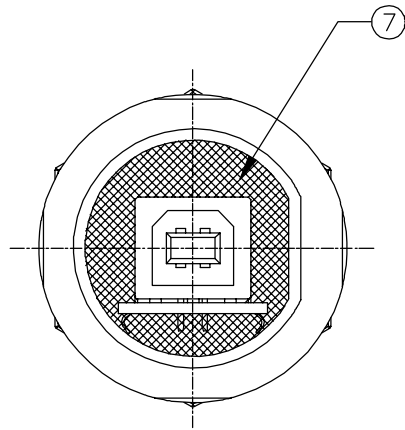
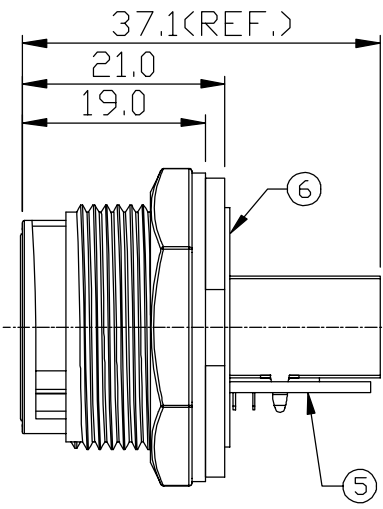
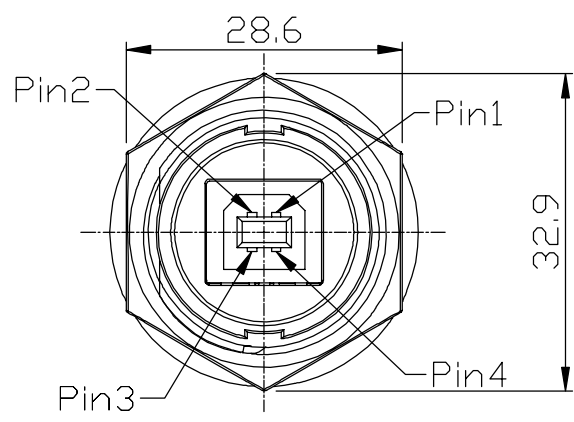
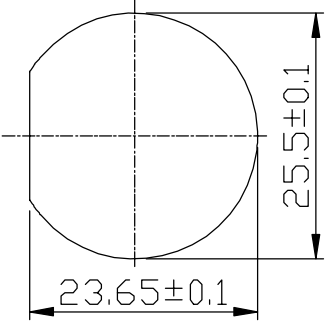


REV.	DESCRIPTION	DATE
A	RELEASE	Sep.12, 2018



Notes: (Unless Otherwise Specified)

1. Waterproof Rate: IP67.
2. Recommend Panel Thickness: 0.8 to 6.0 mm.
3. Recommend Torque: 6~7 Kgf-cm.
4. RoHS Compliance.

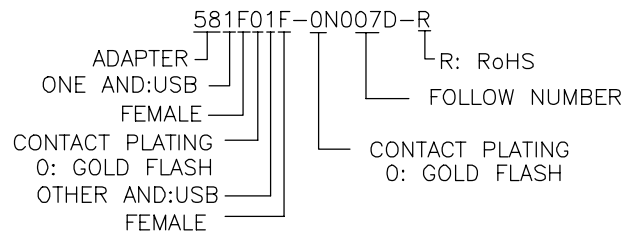


Recommend Panel Cut-Out

Materials:

Item	Part Name	Material / Finish	Q'TY
7	Glue	Epoxy Color: Black	1
6	Holder	Thermoplastic Color: Black	1
5	PCB	FR-4 Color: Green	1
4	Gasket	Silicone Color: Black	1
3	Hex Nut	Thermoplastic Color: Black	1
2	Housing	Thermoplastic Color: Black	1
1	USB-B Receptacle	Housing: Thermoplastic, Color: Black Contacts: Copper Alloy, Finish: Au Plated Shell: Copper Alloy, Finish: Ni Plated	2

Part Number Information:



USB TYPE B			
Pin	Name	Function	Mating Cable Color
1	VBUS	+5VDC	Red
2	D-	Data-	White
3	D+	Data+	Green
4	GDN	Ground	Black

TOLERANCE .0=±0.50 .00=±0.20 .000=±0.05 ANG.=±1°	DRAWER <i>EXER</i>	 ASTRON TECHNOLOGY CORP.	
 UNITS : mm	CHECK <i>JYONY</i>		NAME USB-B PLASTIC C4 PANEL MOUNT, LOCK TO USB-B RECEPTACLE COUPLER
SCALE NONE	SIZE A5	APP'D <i>JYONY</i>	DRAW NO. R581F01F-0N007D-R
SHEET 1 OF 1	REV. A	PRODUCT SPEC. —	