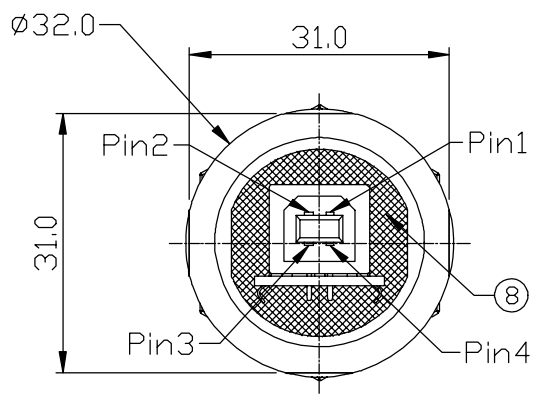
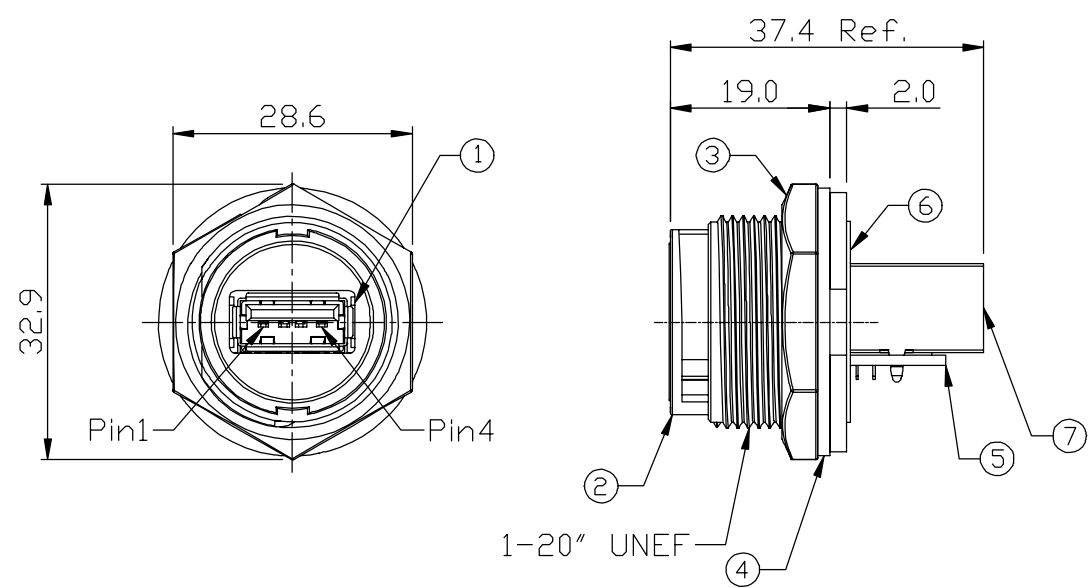


REV.	DESCRIPTION	DATE
A	RELEASE	Sep.12, 2018

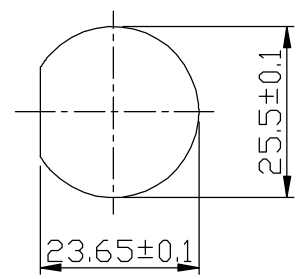


Notes: (Unless Otherwise Specified)

1. Waterproof Rate: IP67.
2. Recommend Panel Thickness: 0.8 to 6.0 mm.
3. Recommend Torque: 6~7 K f-cm.
4. RoHS Compliant.

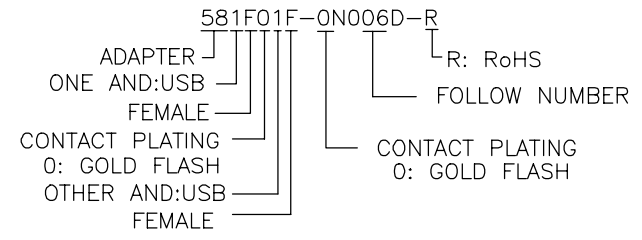
Materials:

Item	Part Name	Material / Finish	Q'TY
8	Glue	Epoxy Color: Black	1
7	USB-B Receptacle	Housing: Thermoplastic, Color: Black Contacts: Copper Alloy, Finish: Au Plated Shell: Copper Alloy, Finish: Ni Plated	1
6	Holder	Thermoplastic Color: Black	1
5	PCB	FR-4 Color: Green	1
4	Gasket	Silicone Color: Black	1
3	Hex Nut	Thermoplastic Color: Black	1
2	Housing	Thermoplastic Color: Black	1
1	USB-A Receptacle	Housing: Thermoplastic, Color: Black Contacts: Copper Alloy, Finish: Au Plated Shell: Copper Alloy, Finish: Ni Plated	1



Recommend Panel Cut-Out

Part Number Information:



TOLERANCE
.0=±0.50
.00=±0.20
.000=±0.05
ANG.=±1°

DRAWER
EXR
CHECK
JYNY
APP'D
JYNY
PRODUCT SPEC.

<b>Astron</b> ASTRON TECHNOLOGY CORP.	
NAME USB-A PLASTIC C4 PANEL JACK LOCK WITH USB-B COUPLER	
DRAW NO. R581F01F-0N006D-R	

UNITS : mm	SCALE NONE	SIZE A5	SHEET 1 OF 1	REV. A
------------	------------	---------	--------------	--------