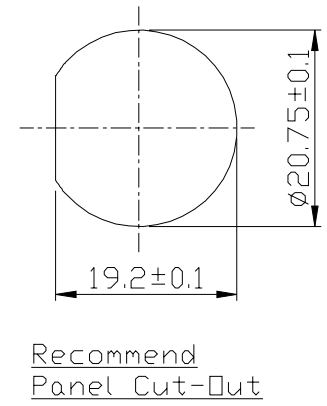
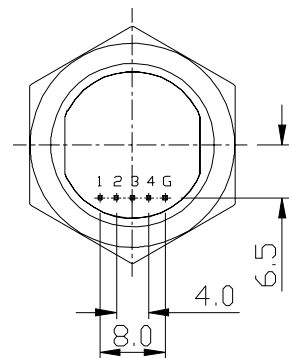
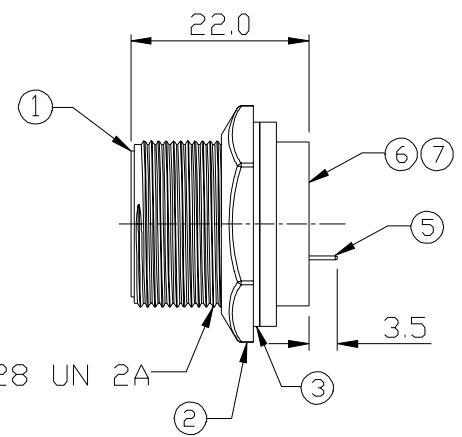
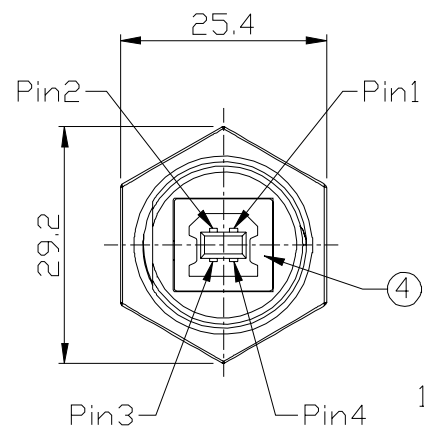
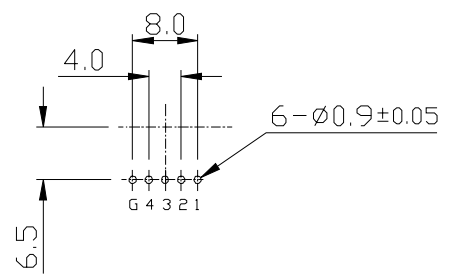


REV.	DESCRIPTION	DATE
A	RELEASE	Sep.03, 2018



- Notes: (Unless Otherwise Specified)
1. Waterproof Rate : IP67.
  2. Recommend Panel Thickness : 0.8 to 6.0 mm.
  3. Recommend Torque: 6~7 Kgf-cm.
  4. RoHS Compliance.

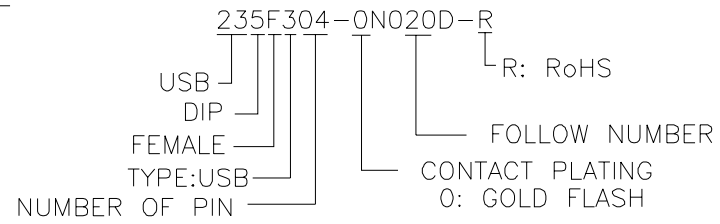


Materials:

Item	Part Name	Material / Finish	Q'ty
7	Glue	Epoxy Color: Black	
6	PCB	FR-4 Color:-	1
5	Pin Header	Housing:Thermal Plastic,Color:Black Contacts:Copper Alloy,Finish:Au Plated	1
4	USB-B Receptacle	Housing:Thermal Plastic,Color:Black Contacts:Copper Alloy,Finish:Au Plated Shell:Copper Alloy,Finish:Ni Plated	1
3	Gasket	Silicone Color: Black	1
2	Hex Nut	Thermal Plastic Color: Black	1
1	Housing	Thermal Plastic Color: Black	1

Recommend PCB Layout

Part Number Information:



<b>TOLERANCE</b> .0=±0.50 .00=±0.20 .000=±0.05 ANG.=±1°	<b>DRAWER</b> <i>EXR</i>	 ASTRON TECHNOLOGY CORP.
	<b>CHECK</b> <i>JYNY</i>	
 UNITS : mm	<b>APP'D</b> <i>JYNY</i>	<b>DRAW NO.</b> R235F304-0N020D-R
	<b>PRODUCT SPEC.</b> —	<b>SCALE</b> NONE
<b>SCALE</b> NONE	<b>SHEET</b> 1 OF 1	<b>REV.</b> A