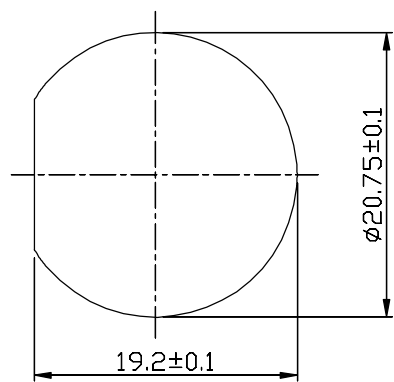
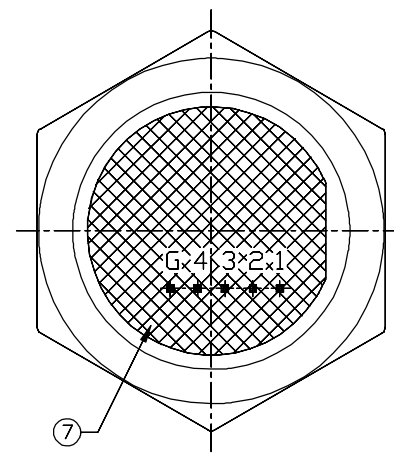
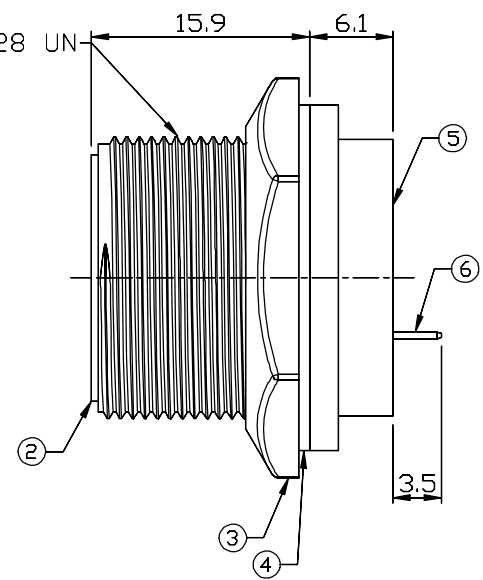
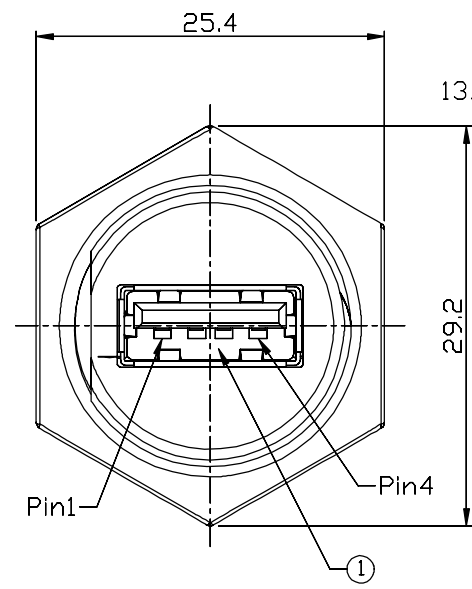


REV.	DESCRIPTION	DATE
A	RELEASE	Sep.03, 2018

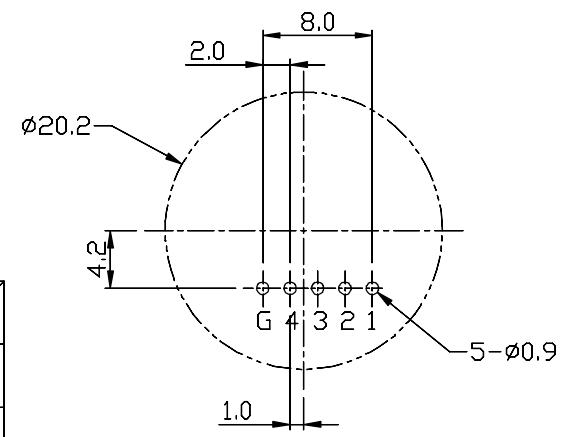


Recommend Panel Cut-Out



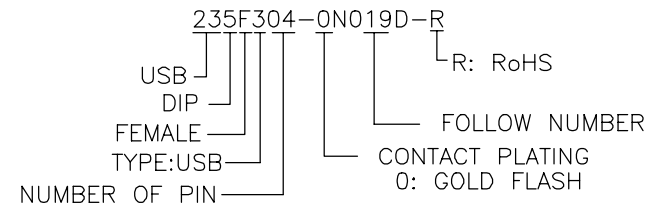
Notes: (Unless Otherwise Specified)

1. Waterproof Rate: IP67.
2. Recommend Panel Thickness: 0.8 to 6.0 mm.
3. Recommend Torque: 6~7 Kgf-cm.
4. RoHS Compliant.



Recommend PCB Layout

Part Number Information:



Materials:

7	Glue	Epoxy Color: Black	
6	Pin Header	Housing: Thermal Plastic, Color: Black	1
		Contacts: Copper Alloy, Finish: Au Plated	
5	PCB	FR-4 Color: Green	1
4	Gasket	Silicone Color: Black	1
3	Hex Nut	Thermal Plastic Color: Black	1
2	Housing	Thermal Plastic Color: Black	1
1	USB-A Receptacle	Housing: Thermal Plastic, Color: Black	1
		Contacts: Copper Alloy, Finish: Au Plated	
		Shell: Copper Alloy, Finish: Ni Plated	
Item	Part Name	Material / Finish	Q'ty

TOLERANCE	
.0=±0.50	
.00=±0.20	
.000=±0.05	
ANG.=±1°	

DRAWER <i>EXER</i>
CHECK <i>JYONY</i>
APP'D <i>JYONY</i>
PRODUCT SPEC. —

 ASTRON TECHNOLOGY CORP.	NAME
	USB-A PLASTIC C3 PANEL JACK DIP SCREW
DRAW NO.	R235F304-0N019D-R

UNITS : mm
SCALE NONE
SIZE A5

SHEET 1 OF 1	REV. A
--------------	--------