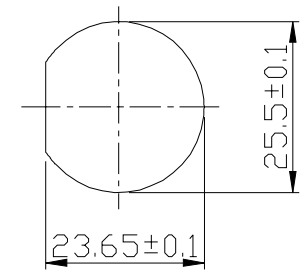
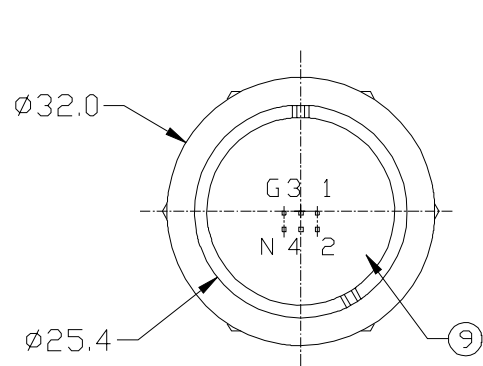
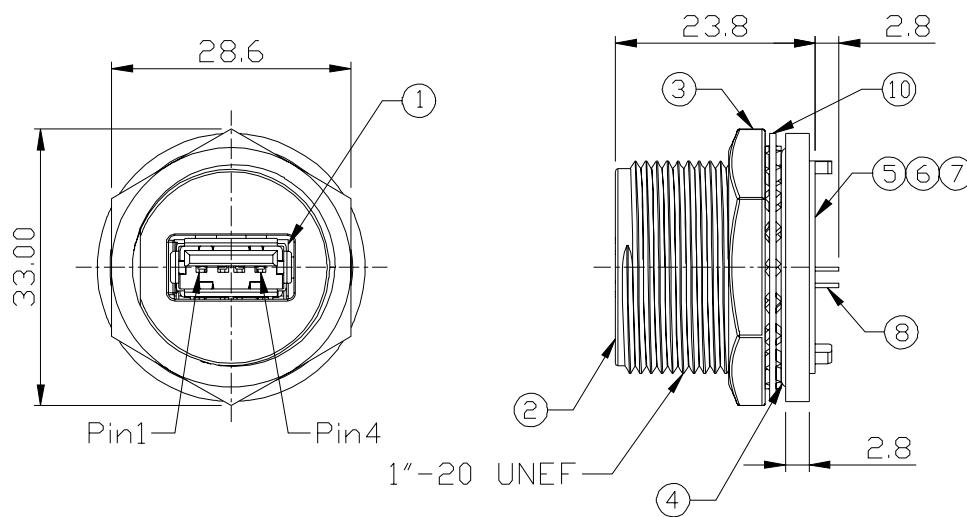


REV.	DESCRIPTION	DATE
A	RELEASE	Sep.03, 2018



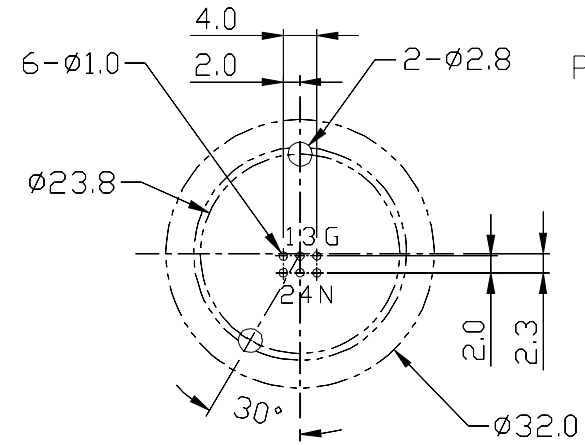
Recommend Panel Cut-Out

Notes: (Unless Otherwise Specified)

1. Waterproof Rate: IP68.
2. Recommend Panel Thickness: 0.8 to 8.0 mm.
3. Recommend Torque: 19~20 Kgf-cm.
4. RoHS Compliant.

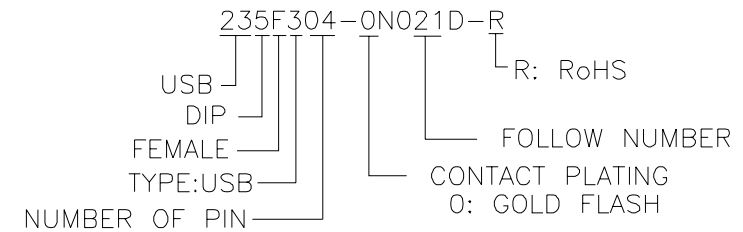
Materials:

10	Metal Washer	Stainless Finish: —	1
9	Glue	Epoxy Color: Black	1
8	Pin Header	Housing: Thermoplastic, Color: Black Contacts: Copper Alloy, Finish: Au Plated	1
7	PCB	FR-4 Color: —	1
6	EMI Shielded Plated	Zn Alloy Finish: Ni Plated	1
5	Holder	Thermoplastic Color: Black	1
4	O-Ring	Silicone Color: Red	1
3	Hex Nut	Zn Alloy Finish: Ni Plated	1
2	Housing	Zn Alloy Finish: Ni Plated	1
1	USB-A Receptacle	Housing: Thermoplastic, Color: Black Contacts: Copper Alloy, Finish: Au Plated Shell: Copper Alloy, Finish: Ni Plated	1
Item	Part Name	Material / Finish	Q'TY



Recommend PCB Layout

Part Number Information:



TOLERANCE .0=±0.50 .00=±0.20 .000=±0.05 ANG.=±1°		DRAWER <i>CHER</i>		 ASTRON TECHNOLOGY CORP.	
 UNITS : mm		CHECK <i>JYUNY</i>			NAME USB-A METAL C4 PANEL JACK DIP SCREW
SCALE NONE		APP'D <i>JYUNY</i>			
SIZE A5		PRODUCT SPEC. —		SHEET 1 OF 1	
REV. A		REVISION A		DATE —	