

MATERIALS

1. HOUSING : LCP, UL 94V-0.
2. TERMINAL : COPPER ALLOY .
GOLD PLATING ON CONTACT AREA
TIN PLATED ON SOLDER TAILS
UNDER NICKEL PLATING OVER ALL.
- 3.MID PLATE: STAINLESS STEEL,CLEAR ONLY.
- 4.FEM1 PLATE: STAINLESS STEEL,CLEAR ONLY.
- 5.FRONT SHELL: STAINLESS STEEL,UNDER NICKEL PLATING OVER ALL.

SPECIFICATION

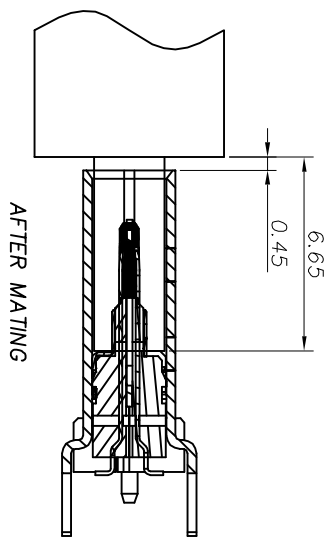
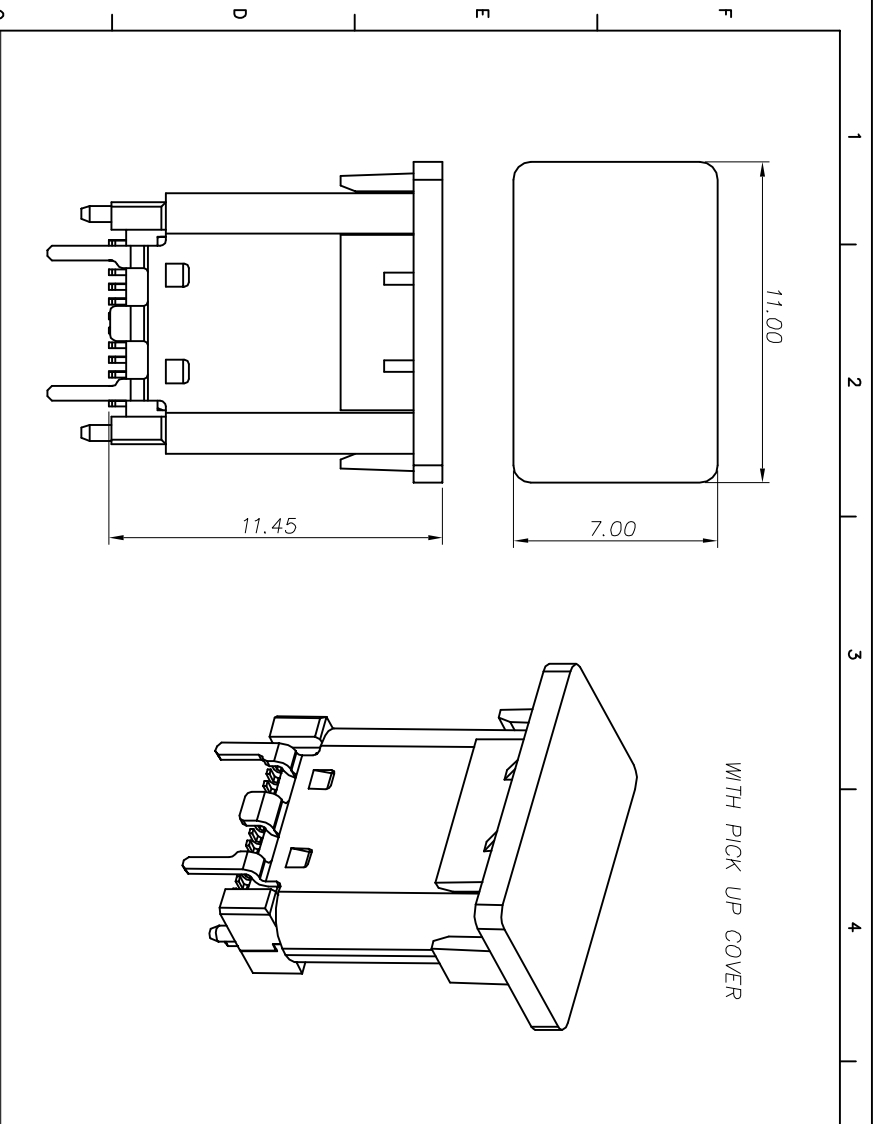
1. CURRENT RATING:5.0A
 2. VOLTAGE RATING:5.0V
 3. DIELECTRIC WITHSTANDING VOLTAGE :
100V AC R.M.S. FOR ONE MINUTE.
 4. INSULATION RESISTANCE : 100M OHMS MIN.
 5. CONTACT RESISTANCE :
VBUS & GND PINS AND OTHER PINS: 40mΩ/PIN MAX.
SHIELD: 50mΩ/MAX
 6. LCR MAX. CHANGE OF ALL PINS: 10mΩ.
 7. INSERTION FORCE : 0.5~2.0KG
 8. EXTRACTION FORCE : 0.8~2.0KG
 9. DURABILITY : 10,000 CYCLE.
 10. OPERATING TEMPERATURE : -25°C TO +85°C.
 11. IR REFLOW:
- THE PEAK TEMPERATURE ON THE BOARD SHALL BE MAINTAINED FOR 10 SECONDS AT 260°C.

PART NUMBER INFORMATION :

239F324-XN027D-X
 SERIES CODE
 SMT
 FEMALE
 USB C TYPE
 NUMBER OF POSITIONS
 CONTACT PLATING OPTION:
 0 : GOLD FLASH
 3 : 15u" GOLD
 6 : 30u" GOLD

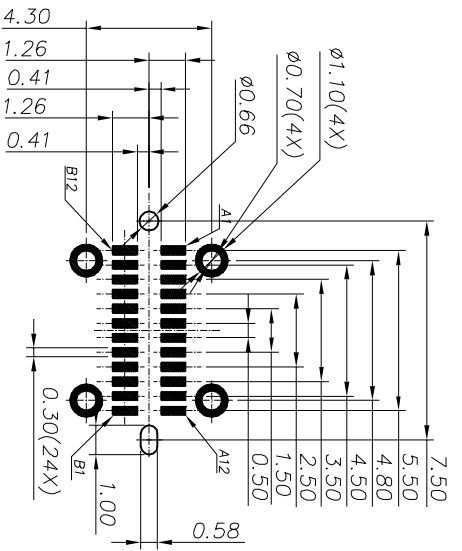
TOLERANCE	.0±0.30	DRAWER	DENG HAN MOU	
CHECK	.00±0.20	CHECK	SIGURDFU	
ANG.±4.3°	.000±0.10	APPR'D	SIGURDFU	NAME
UNITS : mm		PRODUCT SPEC.		USB C TYPE FEMALE
SCALE	NONE	SHEET	1 OF 3	DRAW NO.
SIZE	A4	REV.	1	239F324-XN027D-X

REV.	DESCRIPTION	DATE
1	PRELIMINARY	Aug.23,2018



USB TYPE-C PIN ASSIGNMENTS

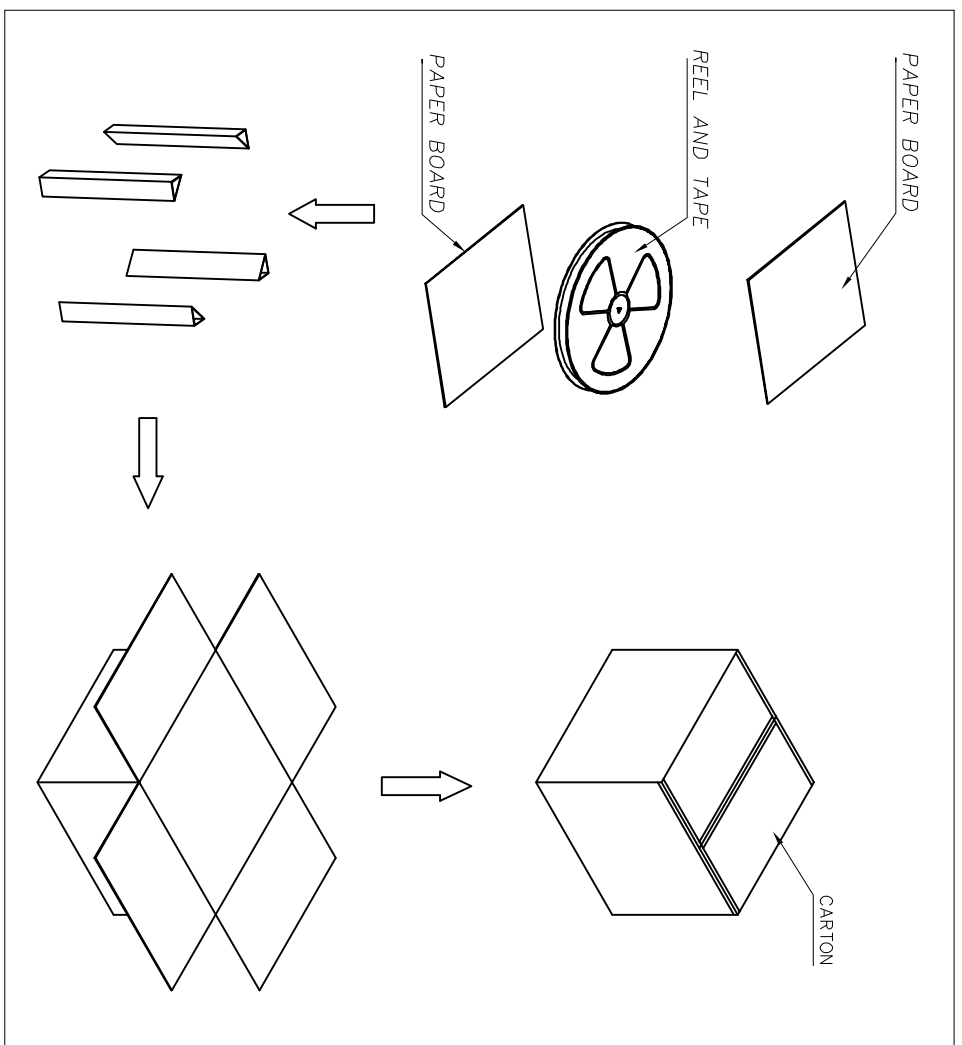
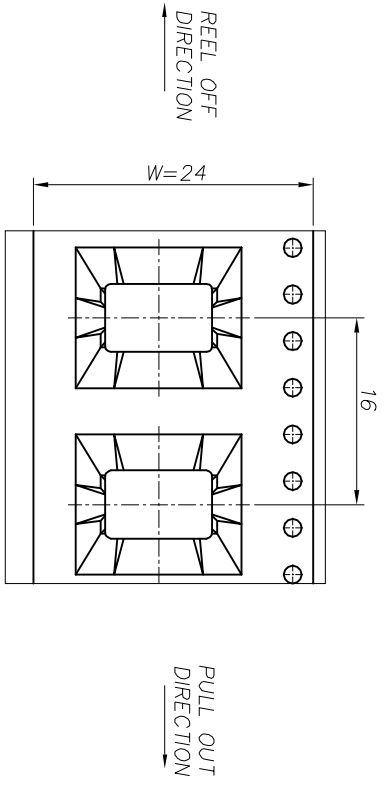
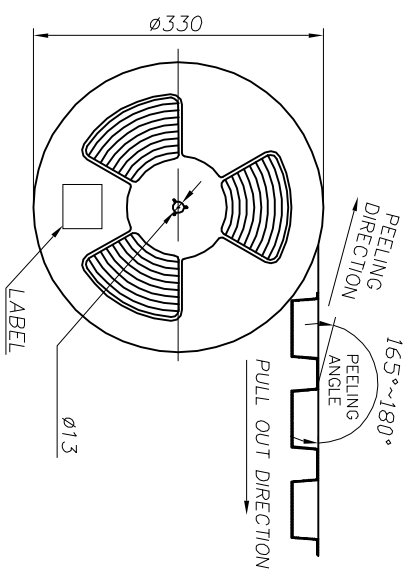
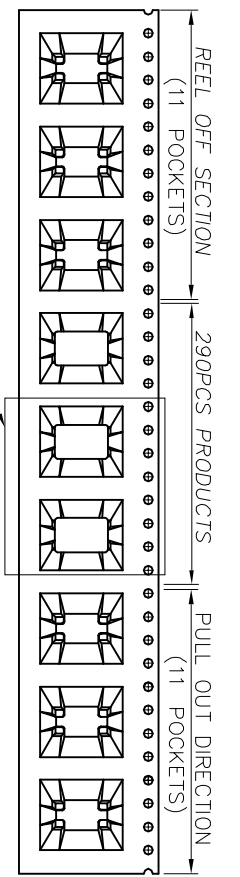
PIN NUMBER	SIGNAL NAME	PIN NUMBER	SIGNAL NAME
A1	GND	B12	GND
A2	SSTXp1	B11	SSRXp1
A3	SSTXn1	B10	SSRXn1
A4	VBUS	B9	VBUS
A5	CC1	B8	SBU2
A6	Dp1	B7	Dn2
A7	Dn1	B6	Dp2
A8	SBU1	B5	CC2
A9	VBUS	B4	VBUS
A10	SSRXn2	B3	SSTXn2
A11	SSRXp2	B2	SSTXp2
A12	GND	B1	GND



RECOMMENDED PCB LAYOUT(TOP VIEW)
THICKNESS: 2.1±0.10MM; DEFAULT TOLERANCE: ±0.05

<p>TOLERANCE .0=±0.30 .00=±0.20 .000=±0.10 ANG.=±.3°</p>		<p>DRAWER DENG HAN MOU</p>		<p>ASTREON TECHNOLOGY CORP.</p>
<p>CHECK SIGURDFU</p>		<p>APP'D SIGURDFU</p>		
<p>UNITS : mm</p>		<p>PRODUCT SPEC.</p>		<p>NAME USB C TYPE FEMALE</p>
<p>SCALE NONE SIZE A4</p>		<p>SHEET 2 OF 3</p>		<p>DRAW NO. 239F324-XN027D-X</p>
<p>REV. 1</p>		<p>REV. 1</p>		

REV.	DESCRIPTION	DATE
1	PRELIMINARY	Aug.23,2018



TOLERANCE		DRAWER		 ASTRON TECHNOLOGY CORP.
.0=±0.30		DENG HAN MOU		
.00=±0.20		CHECK		
.000=±0.10		SIGURDFU		NAME
ANG.=±.3°		APPR'D		USB C TYPE FEMALE
		SIGURDFU		DRAW NO.
		PRODUCT SPEC.		239F324-XN027D-X

UNITS : mm			
SCALE	SIZE	SHEET	REV.
NONE	A4	3 OF 3	1