

REV.	DESCRIPTION	DATE
1	PRELIMINARY	Aug.24,2018

**MATERIALS**

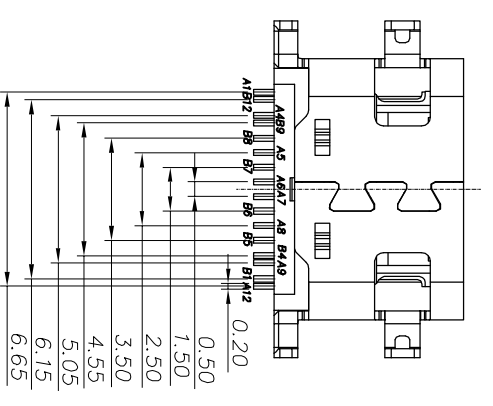
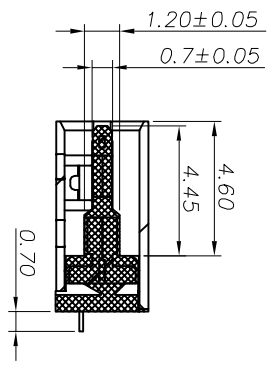
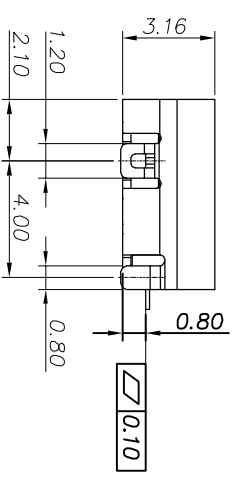
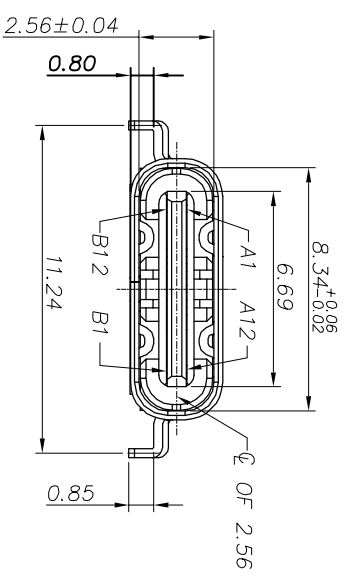
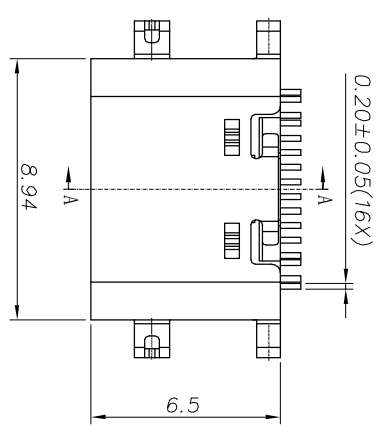
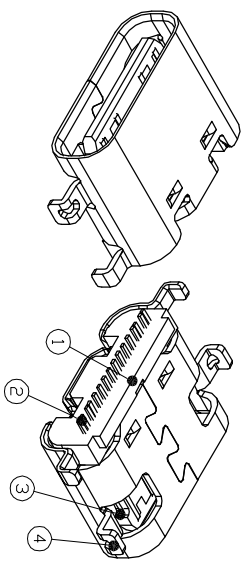
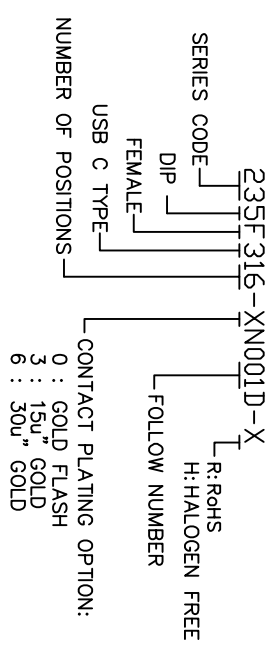
1. HOUSING : HIGH TEMPERATURE RESISTANT PLASTIC,UL94 V-0.
2. TERMINAL : COPPER ALLOY.  
UNDER NICKEL PLATING OVER ALL GOLD PLATING ON CONTACT AREA  
TIN PLATED ON SOLDER TAILS
- 3.MID PLATE: STAINLESS STEEL,CLEAR ONLY
- 4.FRONT SHELL: STAINLESS STEEL,UNDER PLATED OVER ALL.

**SPECIFICATION**

1. CURRENT RATING:3.0A
- VOLTAGE RATING:5.0V
2. DIELECTRIC WITHSTANDING VOLTAGE :  
100V AC R.M.S. FOR ONE MINUTE.
3. INSULATION RESISTANCE : 100M OHMS MIN.
4. CONTACT RESISTANCE :  
VBUS & GND PINS AND OTHER PINS: 40mΩ/PIN MAX.

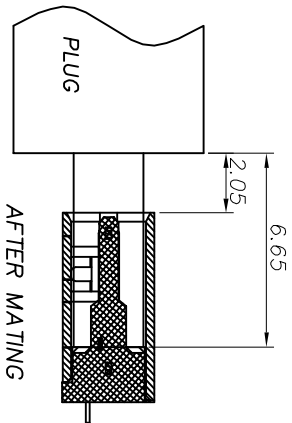
SHIELD: 50mΩ/MAX.  
LCR MAX. CHANGE OF ALL PINS: 10mΩ  
5. INSERTION FORCE : 0.5~2.0KG  
6. EXTRACTION FORCE : 0.8~2.0KG  
7. DURABILITY : 10,000 CYCLE.  
8. OPERATING TEMPERATURE : -25°C TO +85°C.  
9. IR REFLOW:  
THE PEAK TEMPERATURE ON THE BOARD SHALL BE MAINTAINED FOR 10 SECONDS AT 260°C.

**PART NUMBER INFORMATION :**



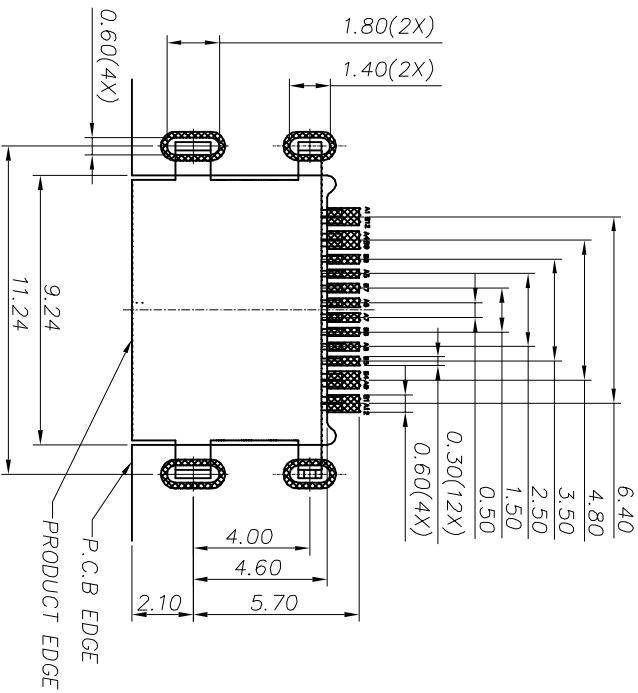
TOLERANCE		DRAWER		 ASTRON TECHNOLOGY CORP.	
.0±0.30		DENG HAN MOU			
.00±0.20		CHECK: SIGURDFU			
.000±0.10		APPR'D: SIGURDFU		NAME	
ANG.±4.3°		PRODUCT SPEC.		USB C TYPE FEMALE	
UNITS : mm		DRAW NO.			
SCALE	SIZE	SHEET	REV.	DRAW NO.	
NONE	A4	1 OF 3	1	235F316-XN001D-X	

REV.	DESCRIPTION	DATE
1	PRELIMINARY	Aug.24,2018



USB TYPE-C PIN ASSIGNMENTS

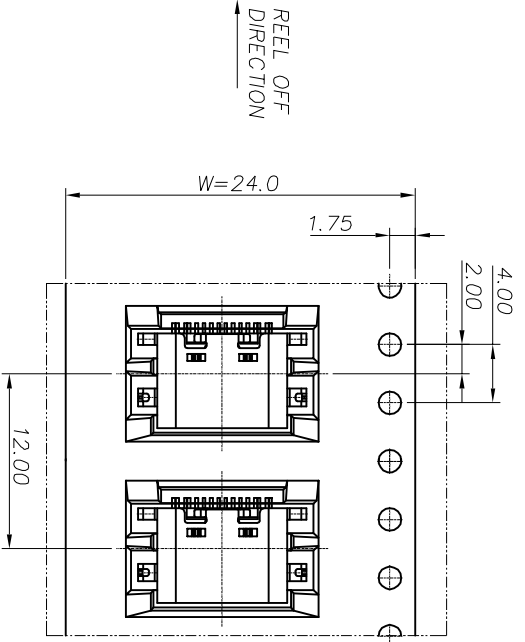
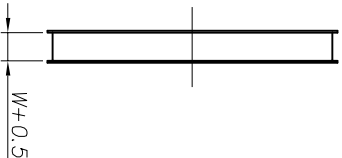
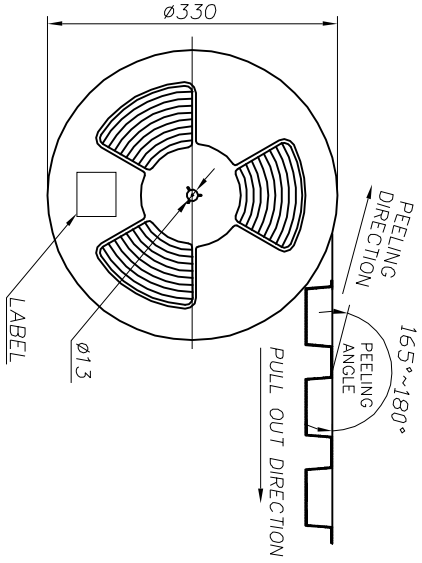
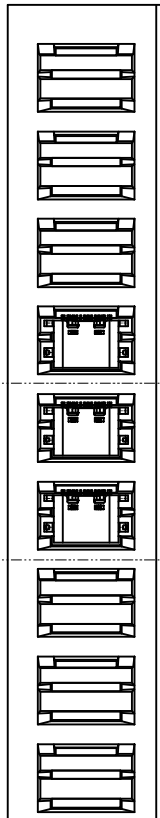
PIN NUMBER	SIGNAL NAME	PIN NUMBER	SIGNAL NAME
A1	GND	B12	GND
A4	VBUS	B9	VBUS
A5	CC1	B8	SBU2
A6	Dp1	B7	Dn2
A7	Dn1	B6	Dp2
A8	SBU1	B5	CC2
A9	VBUS	B4	VBUS
A12	GND	B1	GND



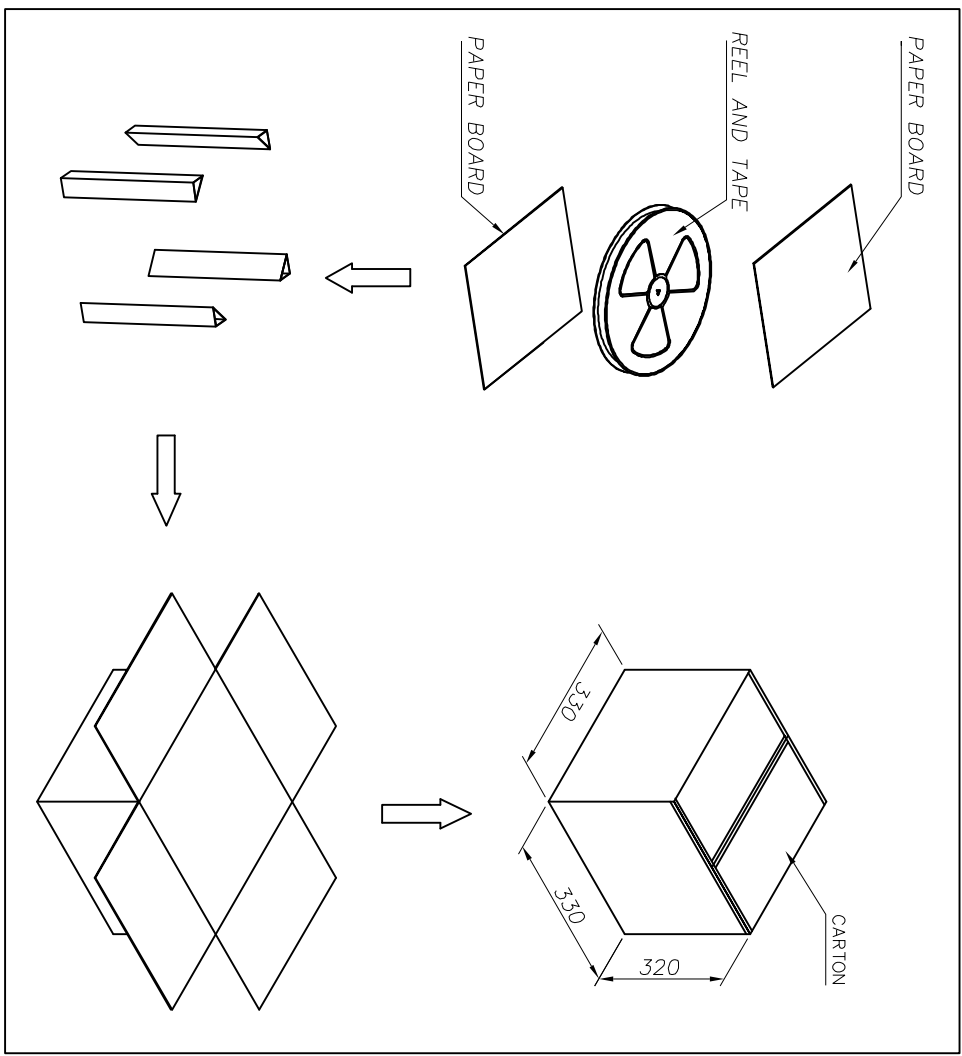
RECOMMENDED PCB LAYOUT(TOP VIEW)  
THICKNESS 0.80MM; DEFAULT TOLERANCE: ±0.05

<p>UNITS : mm</p>		<p>TOLERANCE</p> <p>.0=±0.30</p> <p>.00=±0.20</p> <p>.000=±0.10</p> <p>ANG.=±.3°</p>		<p>DRAWER</p> <p>DENG HAN MOU</p>		<p><b>Astron</b></p> <p>ASTRON TECHNOLOGY CORP.</p>	
<p>SCALE NONE</p> <p>SIZE A4</p>		<p>SHEET 2 OF 3</p> <p>REV. 1</p>		<p>CHECK</p> <p>SIGURDFU</p>		<p>NAME</p> <p>USB C TYPE FEMALE</p>	
<p>PRODUCT SPEC.</p>		<p>DRAW NO.</p> <p>235F316-XN001D-X</p>		<p>APPR'D</p> <p>SIGURDFU</p>		<p>ASTRON TECHNOLOGY CORP.</p>	

LEADING SECTION (16 HOLE) COMPONENTS END SECTION (16 HOLE)



PULL OUT DIRECTION



REV.	DESCRIPTION	DATE
1	PRELIMINARY	Aug.24,2018

TOLERANCE		DRAWER		 ASTRON TECHNOLOGY CORP.
.0=±0.30		DENG HAN MOU		
.00=±0.20		CHECK		
.000=±0.10		SIGURDFU		NAME
ANG.=±.3°		APPR'D SIGURDFU		USB C TYPE FEMALE
PRODUCT SPEC.		DRAW NO.		
UNITS : mm		SCALE		235F316-XN001D-X
SCALE NONE		SIZE A4		
SHEET 3 OF 3		REV. 1		