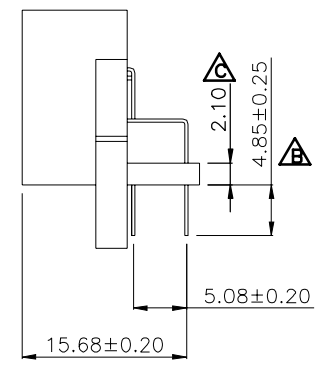
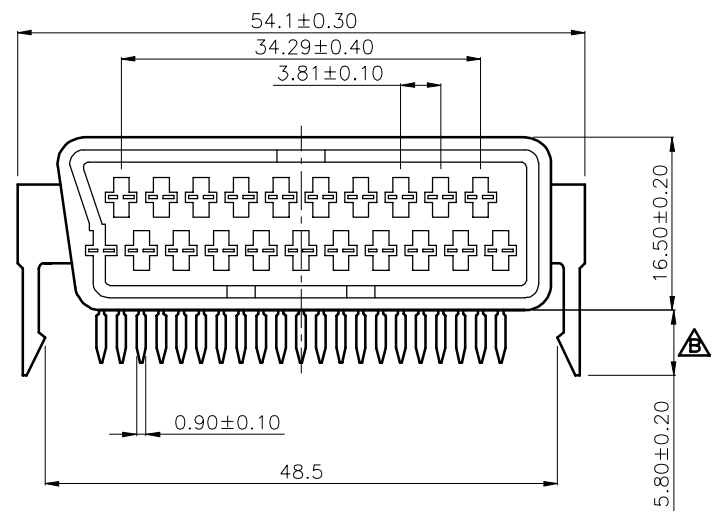


REV.	DESCRIPTION	DATE
A	RELEASE	Feb 10, 2010
B	11'1019	Nov 30, 2011
C	N14'05022	May 12, 2014

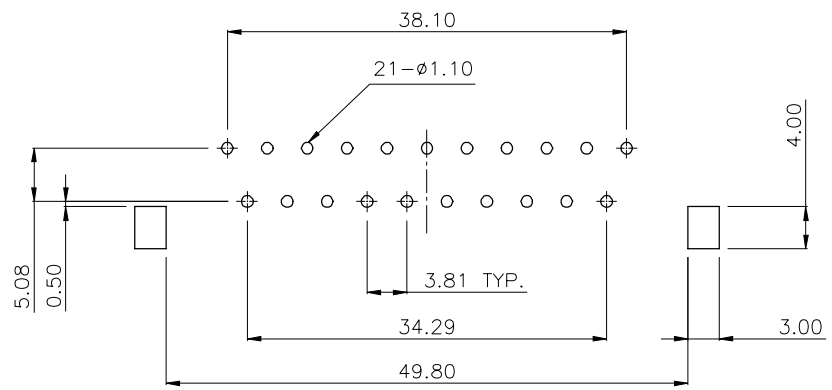
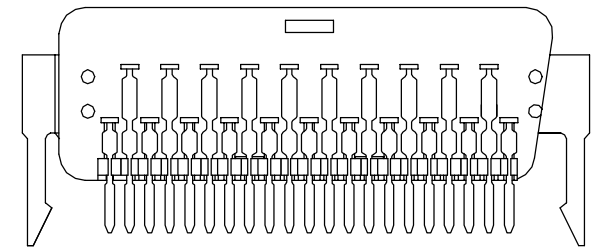
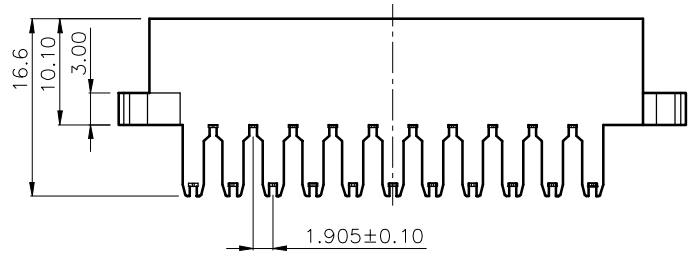


MATERIALS

1. HOUSING : TEMP.PLASTIC (UL 94V-0).
2. TERMINAL : COPPER ALLOY, TIN PLATING.

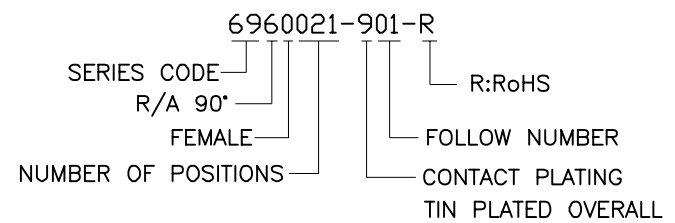
SPECIFICATION

1. CURRENT RATING : 3 AMP. MAX.
2. DIELECTRIC WITHSTANDING VOLTAGE : 1000V AC R.M.S. FOR ONE MINUTE.
3. INSULATION RESISTANCE : 1000M OHMS MIN. AT 500V DC.
4. CONTACT RESISTANCE : 25m OHMS MAX.
5. OPERATING TEMPERATURE : -55°C TO +105°C.



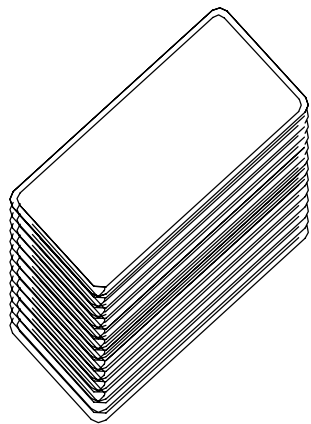
RECOMMEND PCB LAYOUT
TOLERANCE: ±0.05
TOP VIEW

PART NUMBER INFORMATION

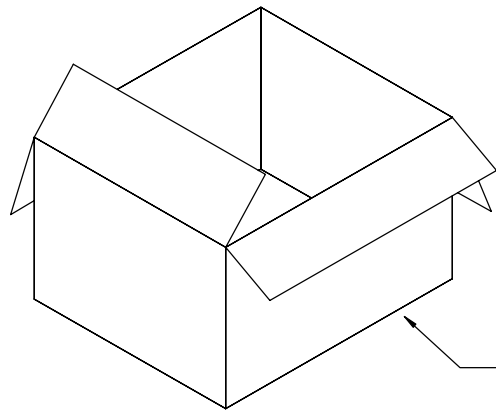


TOLERANCE		DRAWER <i>yang</i>		Astron ASTRON TECHNOLOGY CORP.
.0=±0.25		CHECK <i>Plany</i>		
.00=±0.15		APP'D <i>Fasentlu</i>		
.000=±0.05		PRODUCT SPEC.		NAME SCART CONNECTOR
ANG.=±3°		—		P.C.B. MOUNT R/A, 21 PINS WITHOUT SCREW MOUNTING
UNITS : mm		DRAW NO.		R6960021-901-R
SCALE NONE		SIZE A5		
SHEET 1 OF 2		REV. C		

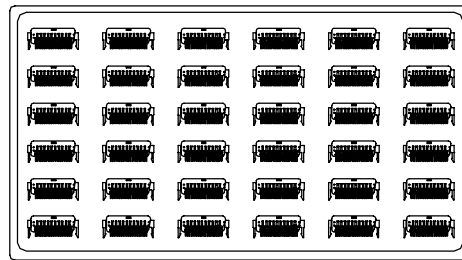
REV.	DESCRIPTION	DATE
A	RELEASE	Feb 10, 2010
B	11'1019	Nov 30, 2011
C	N14'05022	May 12, 2014



10 TRAY/CTN

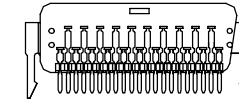


CARTON



BOTTOM COVER&UP COVER

36PCS/TRAY



PACKAGE :

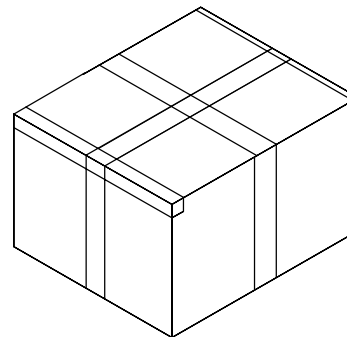
MATERIALS


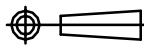
BOTTOM COVER&UP COVER: PS

QUANTITY

1.36PCS/TRAY

2.360PCS/CARTON



TOLERANCE .0=±0.25 .00=±0.15 .000=±0.05 ANG.=±3°		DRAWER <i>yang</i>		 ASTRON TECHNOLOGY CORP.
 UNITS : mm		CHECK <i>Hony</i>		
SCALE NONE		APP'D <i>Fanolin</i>		NAME SCART CONNECTOR P.C.B. MOUNT R/A, 21 PINS WITHOUT SCREW MOUNTING
SIZE A5		PRODUCT SPEC. —		
SHEET 2 OF 2		REV. C		DRAW NO. R6960021-901-R