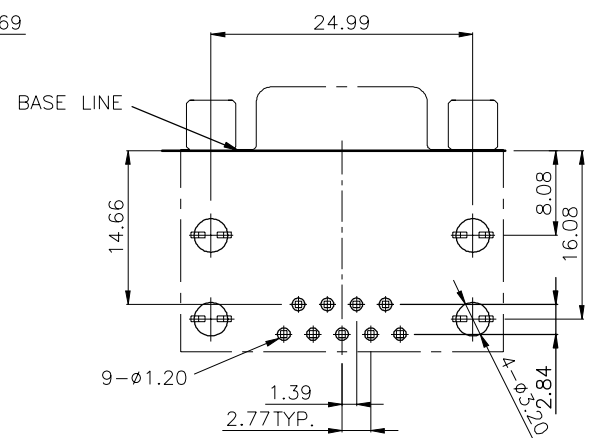
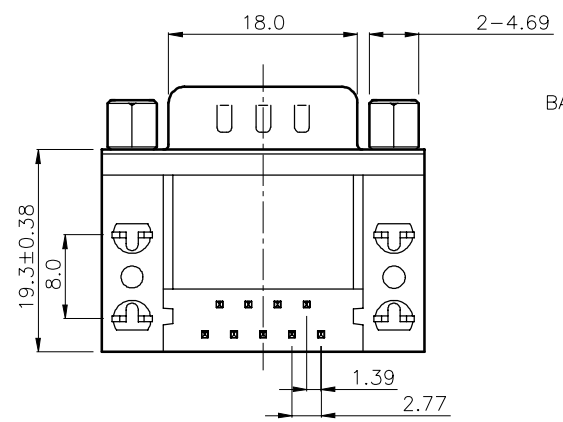
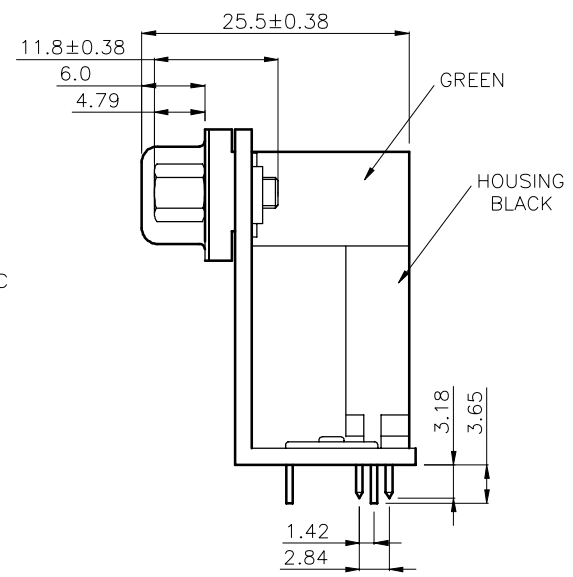
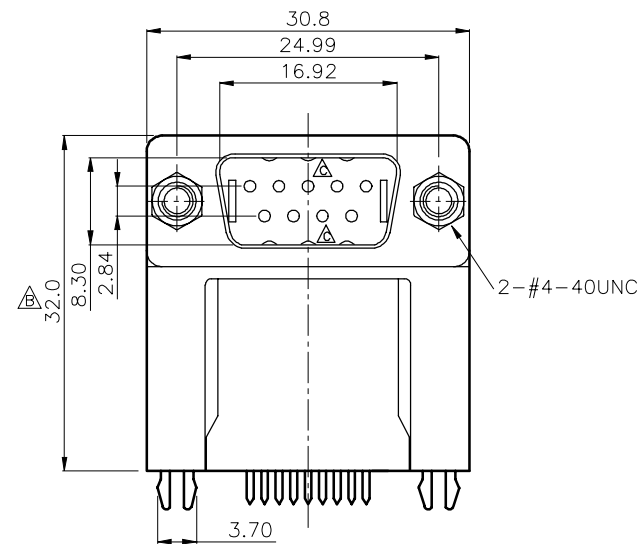


REV.	DESCRIPTION	DATE
A	RELEASE	Aug 20, 2008
B	R11'0716	Jul 13, 2011
C	N13'06021	Jun 14, 2013



RECOMMEND PCB LAYOUT
TOLERANCE: ±0.05
TOP VIEW

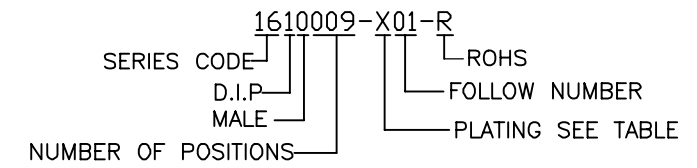
MATERIALS

1. HOUSING: THERMOPLASTICS. (UL 94V-0), BLACK.
2. TERMINAL: COPPER ALLOY.
3. SHELL: STEEL.
4. RIVET: COPPER ALLOY. NICKEL PLATED OVERALL
5. PRONGS BOARDLOCK: TIN PLATED OVERALL
COPPER ALLOY.

SPECIFICATION

1. CURRENT RATING : 5 A
2. DIELECTRIC WITHSTANDING VOLTAGE :
500V AC R.M.S. FOR ONE MINUTE.
3. INSULATION RESISTANCE : 1000MΩ AT 500V DC.
4. CONTACT RESISTANCE : 30mΩ
5. OPERATING TEMPERATURE : -55°C TO +105°C.
6. DIP RESISTANCE WAVE SOLDERING HEAT 170±5°C.
FOR 30 SECONDS.

PART NUMBER INFORMATION :



DESCRIPTION OF PLATING ON TERMINALS			
NO.	EXPLAIN	NO.	EXPLAIN
0	GOLD FLASH	3	GOLD 15u"
1	GOLD 5u"	4	GOLD 20u"
2	GOLD 10u"	6	GOLD 30u"

TOLERANCE .0=±0.25 .00=±0.15 .000=±0.05 ANG.=±3°	DRAWER CHECK APP'D	 Astron ASTRON TECHNOLOGY CORP.	
 UNITS : mm	PRODUCT SPEC.		NAME STACKED D-SUB SINGLE PORT (HIGH RISE) MALE
SCALE NONE	SIZE A5	SHEET 1 OF 1	REV. C
		DRAW NO. R1610009-X01-R	