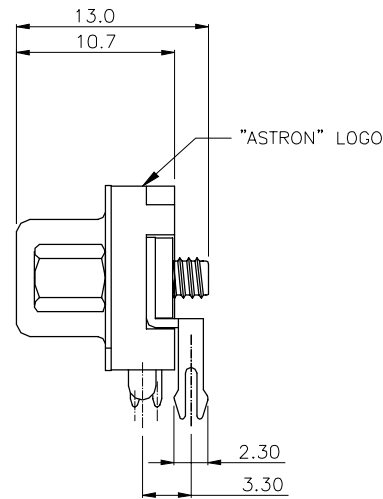
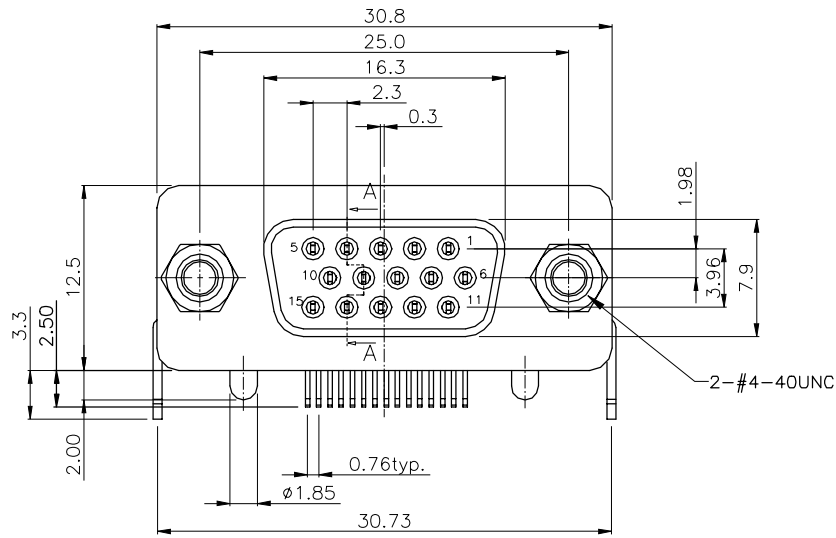


REV.	DESCRIPTION	DATE
D	06'0829	Aug.19,2006
E	07'0158	Jan.30,2007
F	11'0322	Mar.17,2011
G	N18'03011	Apr.03,2018

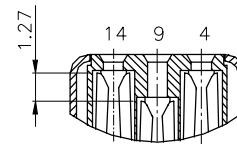
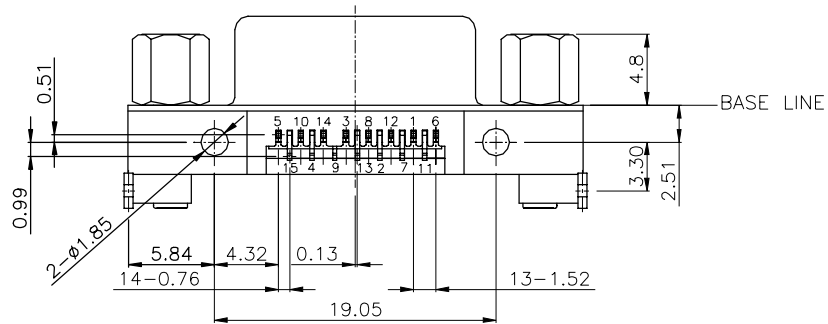


MATERIALS:

- HOUSING: THERMOPLASTIC (UL 94V-0),BLUE.
- TERMINAL: COPPER ALLOY, T=0.30mm.
PLATING: GOLD FLASH ON CONTACT AREA, TIN PLATED ON SOLDER TAILS, NICKEL UNDER PLATED OVER ALL.
- BOARDLOCK: COPPER ALLOY, T=0.60mm.
PLATING: TIN PLATED OVER ALL.
- SHELL: STEEL, T=0.40mm,
PLATING: NICKEL PLATED OVER ALL.
- RIVET: Zn ALLOY.
PLATING: NICKEL PLATED OVER ALL.
- SCREW: COPPER ALLOY,
PLATING: NICKEL PLATED OVER ALL.

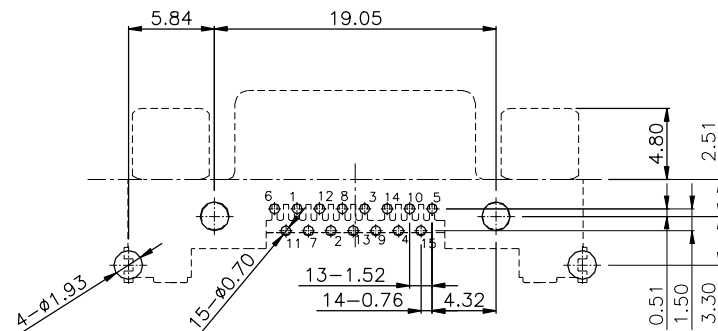
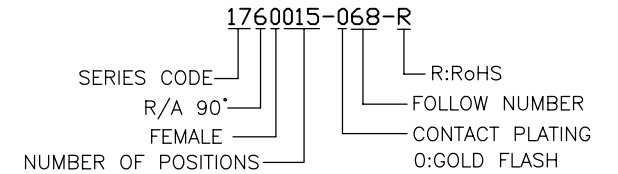
SPECIFICATIONS:

- CURRENT RATING: 1 A MAX.
- INSULATION RESISTANCE: 1000 MΩ MIN AT 500V DC.
- DIELECTRIC WITHSTANDING VOLTAGE: 500V AC R.M.S. FOR 1 MINUTE.
- CONTACT RESISTANCE: 30 mΩ MAX.
- OPERATING TEMPERATURE: -55°C TO +105°C.



SEC A-A
SCALE 1.5:1

PATE NUMBER INFORMATION:



RECOMMEND P.C.B. LAYOUT
TOLERANCE ±0.05
TOP VIEW

TOLERANCE .0=±0.25 .00=±0.15 .000=±0.05 ANG.=±3°	DRAWER Chan	 ASTRON TECHNOLOGY CORP.
	CHECK Chan	
 UNITS : mm	APP'D Stony	DRAW NO. R1760015-068-R
	SCALE NONE	SIZE A6
	REV. G	