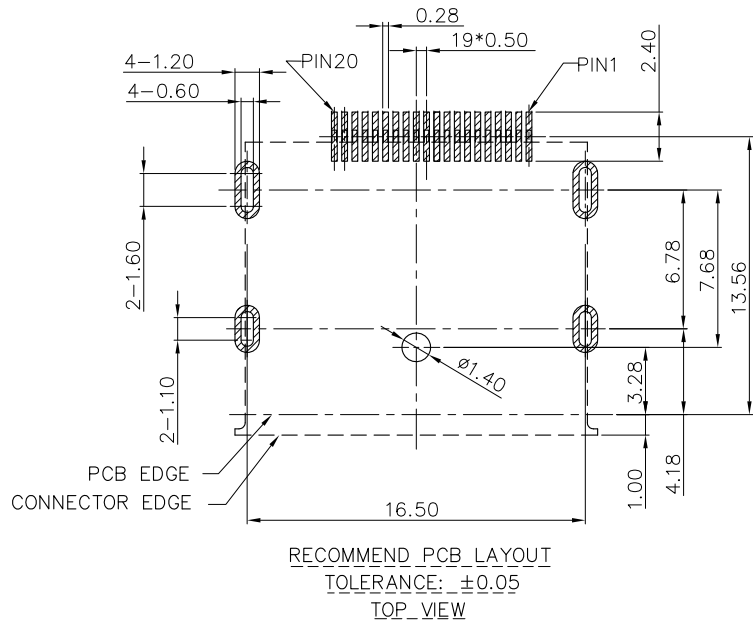
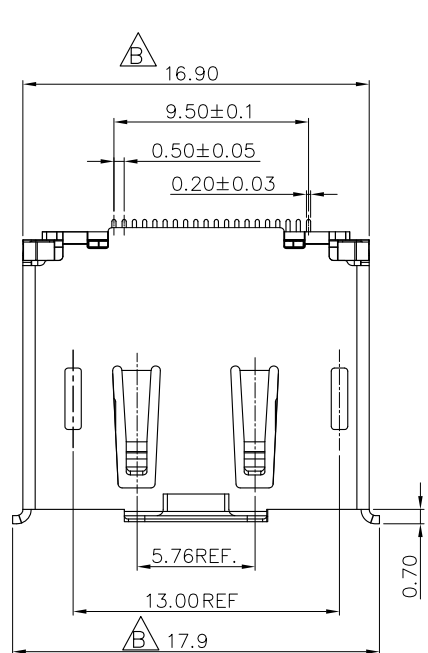


REV.	DESCRIPTION	DATE
A	RELEASE	April.01.2015
B	N17'09008	Sep.15.2017



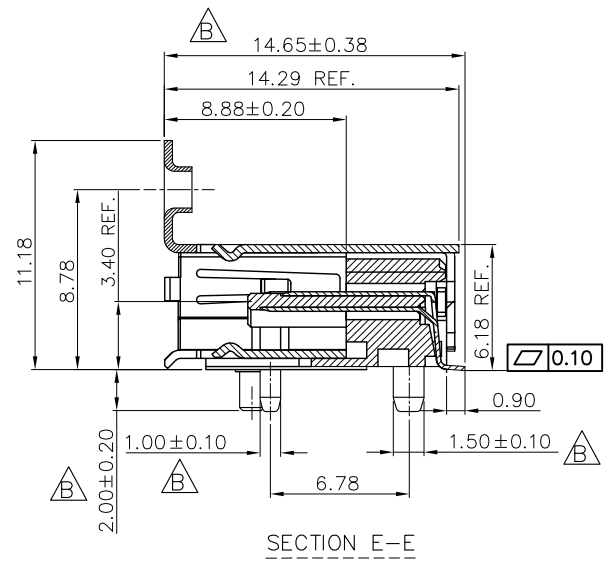
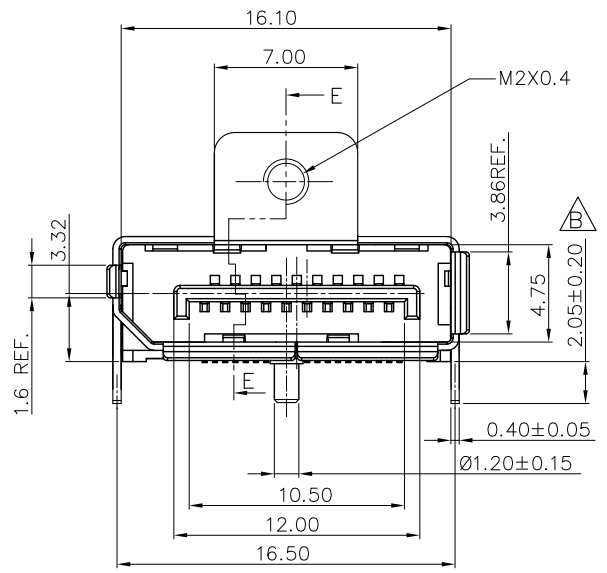
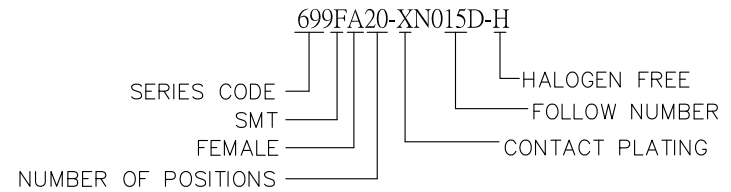
MATERIALS:

1. HOUSING: THERMOPLASTIC (UL94V-0),BLACK
2. TERMINAL: COPPER ALLOY
PLATING : GOLD PLATED .
3. SHELL: COPPER ALLOY , T=0.40mm
PLATING : NICKEL PLATED OVERALL.

SPECIFICATION

1. CURRENT RATING : 0.5 A MAX.
2. DIELECTRIC WITHSTANDING VOLTAGE :
500V AC R.M.S. FOR ONE MINUTE.
3. CONTACT RESISTANCE : 30mΩ MAX.
4. INSULATION RESISTANCE :
100M Ω MIN. AT 500V DC.
5. OPERATING TEMPERATURE : -20°C TO +85°C.

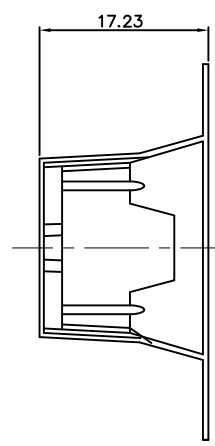
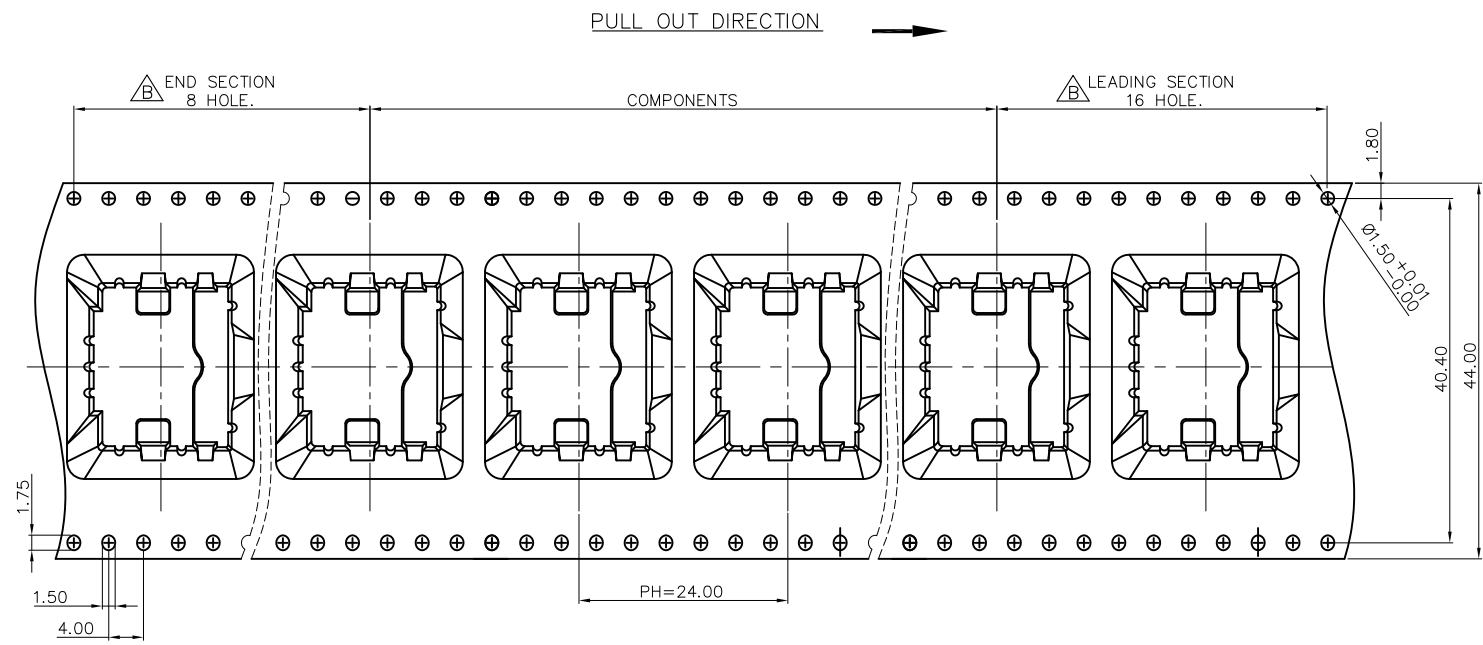
PART NUMBER INFORMATION:



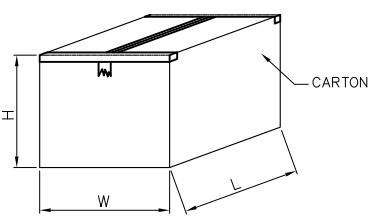
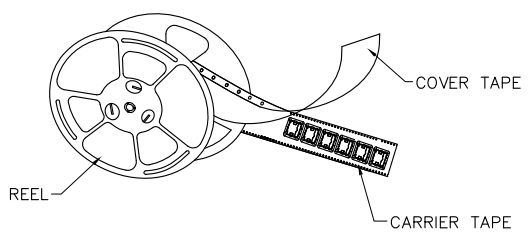
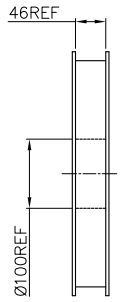
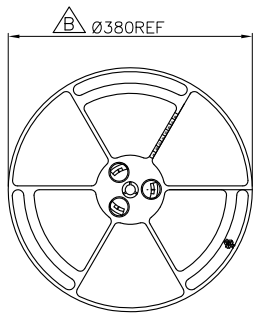
DESCRIPTION OF PLATING ON TERMINALS			
NO.	EXPLAIN	NO.	
0	GOLD FLASH	3	GOLD 15u"
6	GOLD 30u"		

TOLERANCE .0=±0.38 .00=±0.25 .000=±0.05 ANG.=±3°	DRAWER <i>BT&N</i> CHECK <i>Stony</i>	 ASTRON TECHNOLOGY CORP. NAME DISPLAYPORT SMT TYPE FEMALE (SCREW THREAD M2)-8.78mm
	APP'D <i>Stony</i> PRODUCT SPEC.	
UNITS : mm SCALE NONE SIZE A7	SHEET 1 OF 2 REV. B	

REV.	DESCRIPTION	DATE
A	RELEASE	April.01.2015
B	N17'09008	Sep.15.2017



PULL OUT DIRECTION →



MATERIALS

1. CARRIER TAPE: POLYSTYREN (PS)
2. COVER TAPE: POLYSTYREN (PS)
3. REEL: POLYSTYREN (PS)

QUANTITY

- △ 1. 250PCS PER REEL
- △ 2. 5 REEL PER CARTON(1250PCS PER CARTON)
- △ (CARTON :L=400mm, W=400mm, H=270mm)

REEL FOR CARRIER TAPE

TOLERANCE .0=±0.38 .00=±0.25 .000=±0.05 ANG.=±3°	DRAWER <i>BLEN</i>	 ASTRON TECHNOLOGY CORP.
	CHECK <i>Stony</i>	
 UNITS : mm	APP'D <i>Stony</i>	DRAW NO. R699FA20-XN015D-H
	SCALE NONE	SIZE A7
REV. B	DRAWING NAME:R	