

REV.	ECN NO.	DATE
C	N14'09018	Sep.11.2014
D	N16'01008	Jan.27.2016
E	N18'03012	Apr.02, 2018
F	N18'09021	Sep.26, 2018

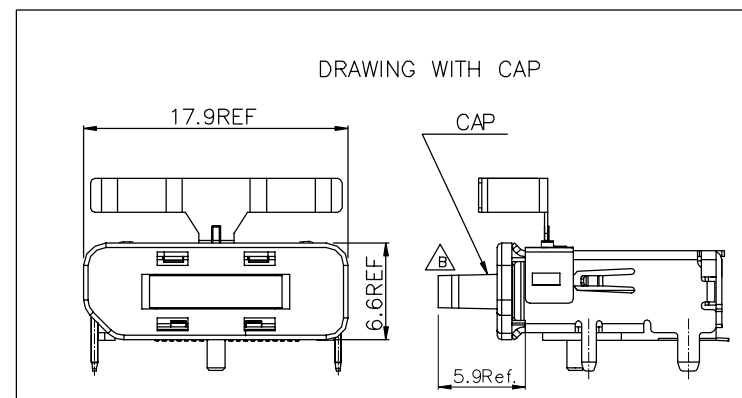
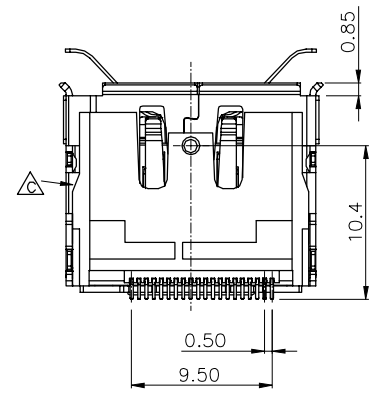
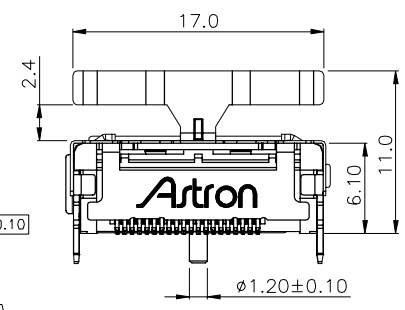
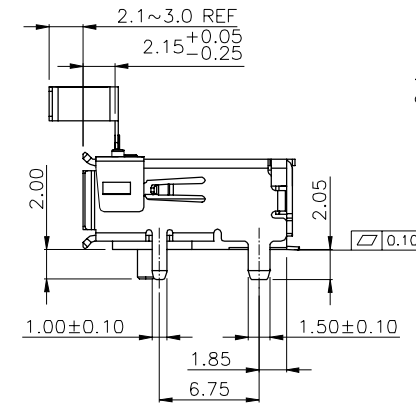
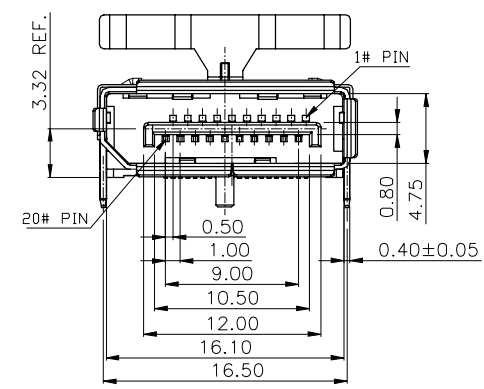
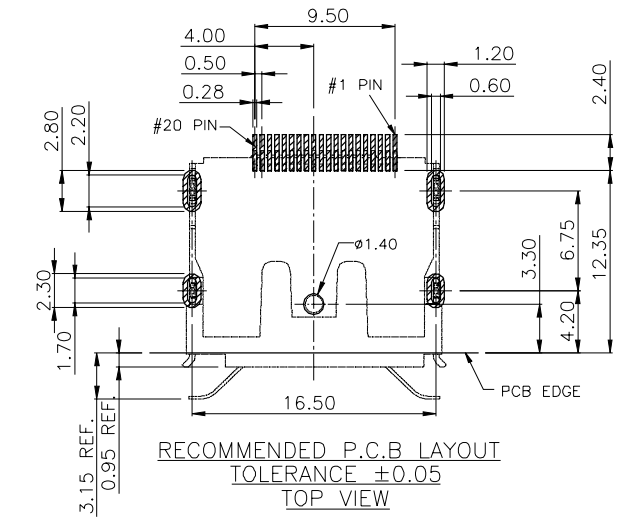
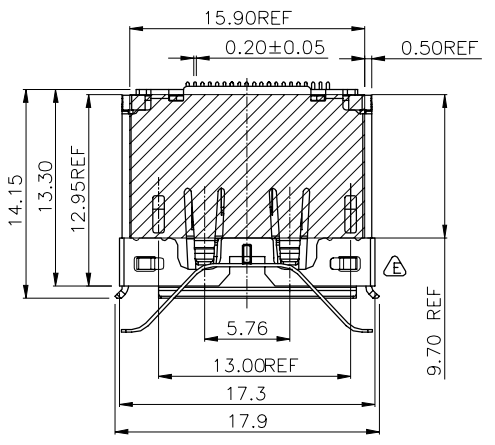
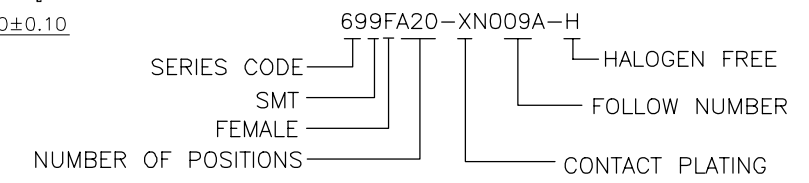
**MATERIALS**

- HOUSING : LCP (UL94V-0),BLACK.
- TERMINAL : BRASS, GOLD PLATING.  
UNDER 80u" NICKEL PLATING
- SHELL : BRASS, 50u" NICKEL PLATING.
- SPRING : STAINLESS STEEL, T=0.20mm.

**SPECIFICATION**

- CURRENT RATING : 0.5A. MAX.
- DIELECTRIC WITHSTANDING VOLTAGE :  
500V AC R.M.S. FOR ONE MINUTE.
- INSULATION RESISTANCE : 100MΩ MIN.  
AT 500V DC.
- CONTACT RESISTANCE : 30mΩ MAX.
- OPERATING TEMPERATURE : -25°C TO +85°C.
- DURABILITY : 10000 CYCLES.
- MATING FORCE : 4.5kgf MAX.
- UNMATING FORCE : 1.0kgf MIN.

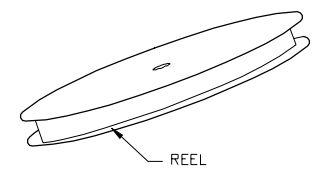
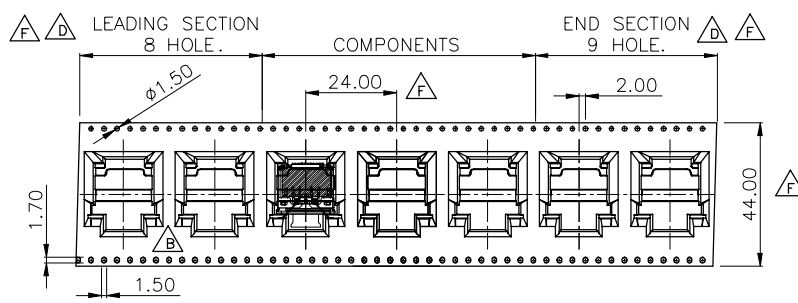
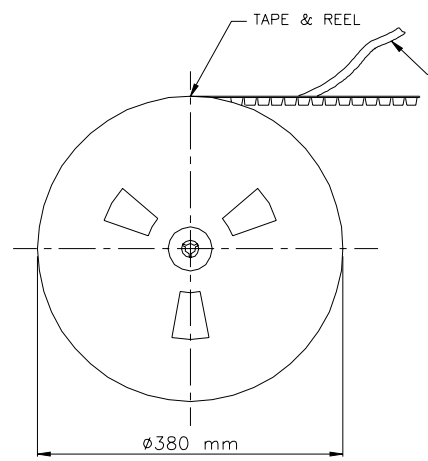
**PART NUMBER INFORMATION**



DESCRIPTION OF PLATING ON TERMINALS			
NO.	EXPLAIN	NO.	EXPLAIN
0	GOLD FLASH	3	GOLD 15u"
6	GOLD 30u"		

TOLERANCE .0=±0.25 .00=±0.15 .000=±0.05 ANG.=±3°	DRAWER <i>Ehen</i> CHECK <i>Stony</i> APP'D <i>Stony</i>	 <b>Astron</b> ASTRON TECHNOLOGY CORP. NAME DISPLAY PORT R/A SMT TYPE. FEMALE. WITH SPRING
 UNITS : mm SCALE NONE SIZE A4 SHEET 1 OF 2 REV. F	PRODUCT SPEC. DRAW NO. R699FA20-0N009A-H	

REV.	ECN NO.	DATE
C	N14'09018	Sep.11.2014
D	N16'01008	Jan.27.2016
E	N18'03012	Apr.02, 2018
F	N18'09021	Sep.26, 2018



**TAPE & PACKAGE :**

**MATERIAL :**

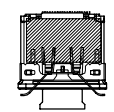
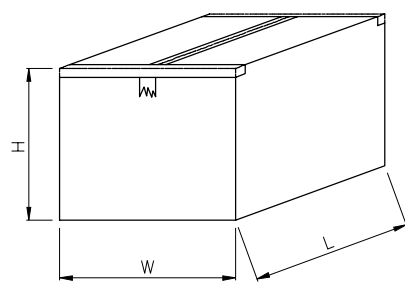
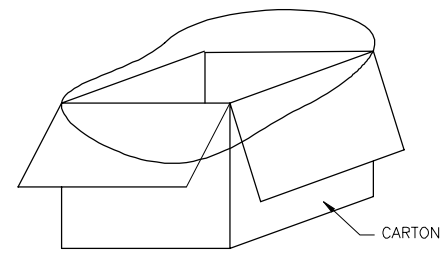
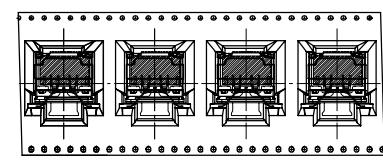
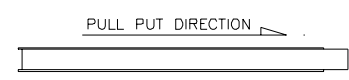
1. CARRIER TAPE : PS.
2. COVER TAPE: PE.
3. REEL : PS.

**QUANTITY:**

1. 270PCS/REEL.
2. 7REEL/1890PCS/CARTON.

**DIMENSION :**

REEL SIZE :  
 DIA=380.0mm, W=44.0mm.  
 CARTON :  
 L=420mm, W=406mm, H=380mm.



PRODUCT DIRECTION

<u>TOLERANCE</u>	
.0=±0.25	
.00=±0.15	
.000=±0.05	
ANG.=±3°	
UNITS : mm	
SCALE NONE	SIZE A4

DRAWER <i>Chen</i>
CHECK <i>Slony</i>
APP'D <i>Slony</i>
PRODUCT SPEC. ---
SHEET 2 OF 2
REV. F

<b>Astron</b>	
ASTRON TECHNOLOGY CORP.	
NAME DISPLAY PORT R/A SMT TYPE, FEMALE, WITH SPRING	
DRAW NO.  R699FA20-XN009A-H	