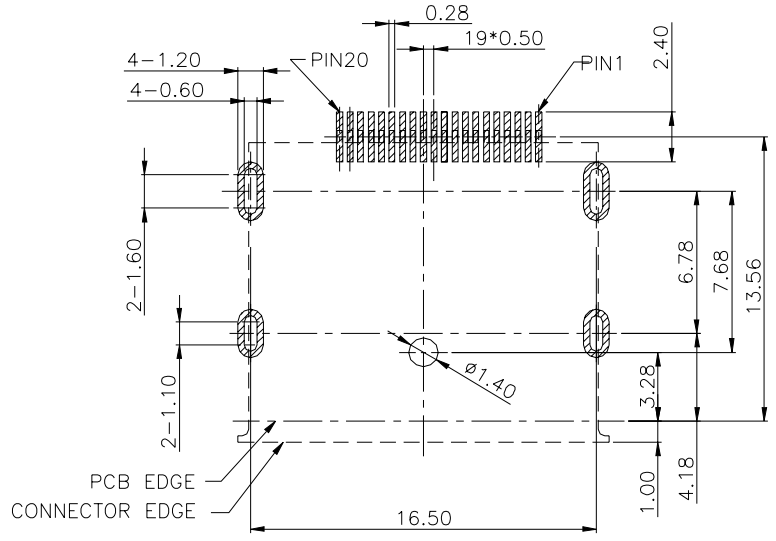
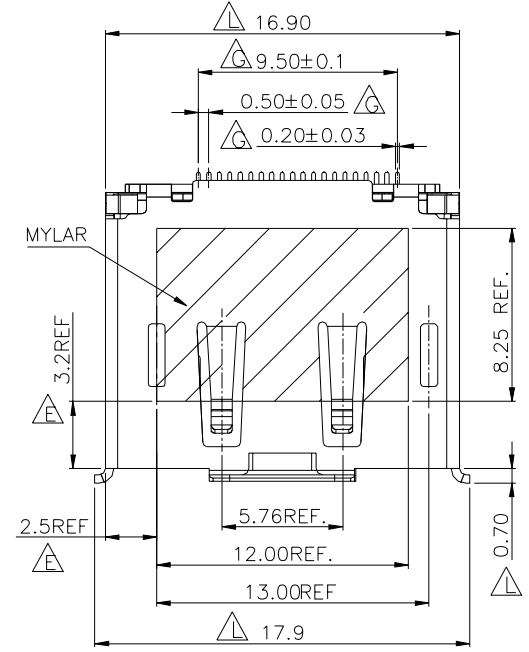


REV.	DESCRIPTION	DATE
J	N15'09010	Sep.30.2015
K	N16'01008	Jan.27.2016
L	N16'04009	Apr.11.2016
M	N16'04018	Apr.25.2016



RECOMMEND PCB LAYOUT
TOLERANCE: ±0.05
TOP VIEW

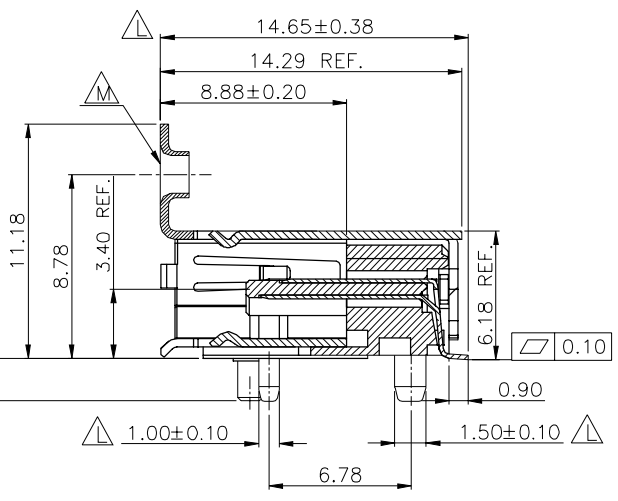
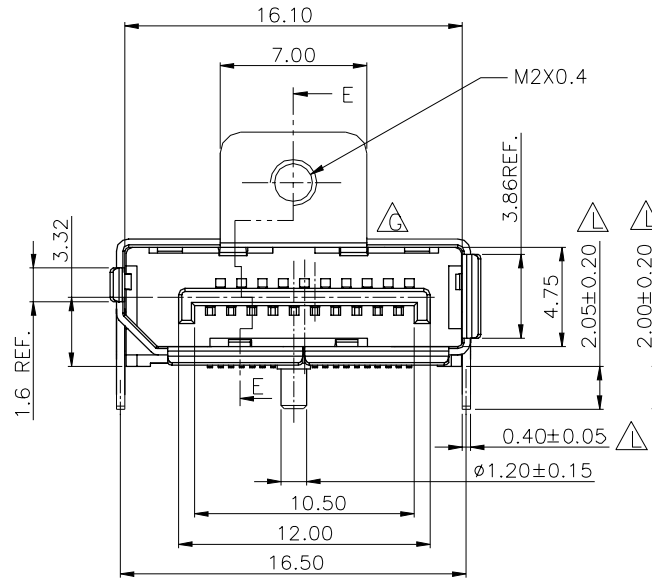
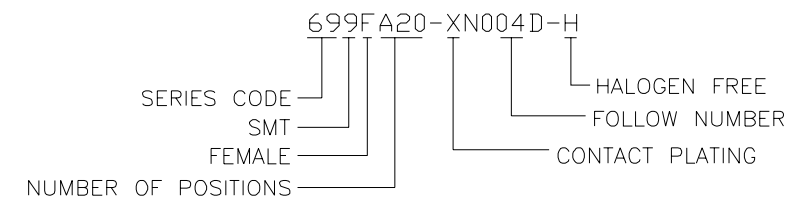
MATERIALS:

- HOUSING: THERMOPLASTIC (UL94V-0),BLACK
- TERMINAL: COPPER ALLOY
PLATING : GOLD PLATED .
- SHELL: COPPER ALLOY , T=0.40mm
PLATING : NICKEL PLATED OVERALL.

SPECIFICATION

- CURRENT RATING : 0.5 A MAX.
- DIELECTRIC WITHSTANDING VOLTAGE :
500V AC R.M.S. FOR ONE MINUTE.
- CONTACT RESISTANCE :30mΩ MAX.
- INSULATION RESISTANCE :
100MΩ MIN. AT 500V DC.
- OPERATING TEMPERATURE : -20°C TO +85°C.

PART NUMBER INFORMATION:

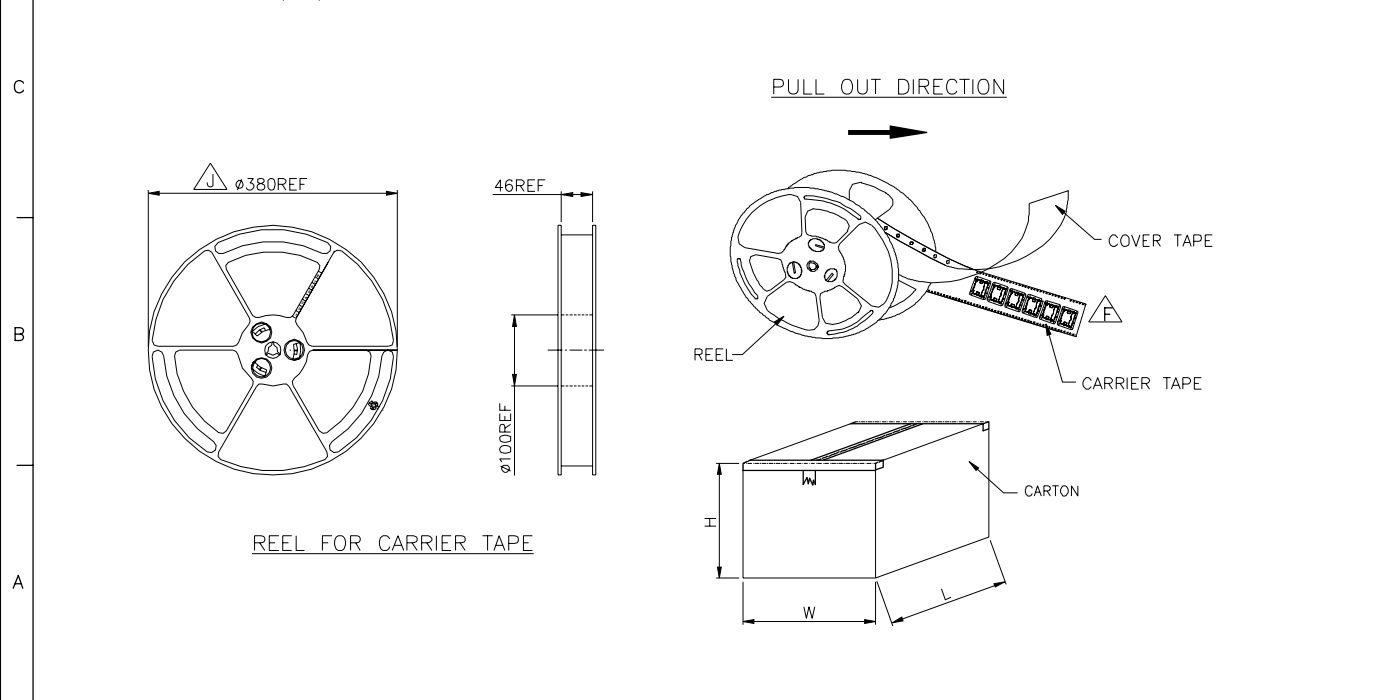
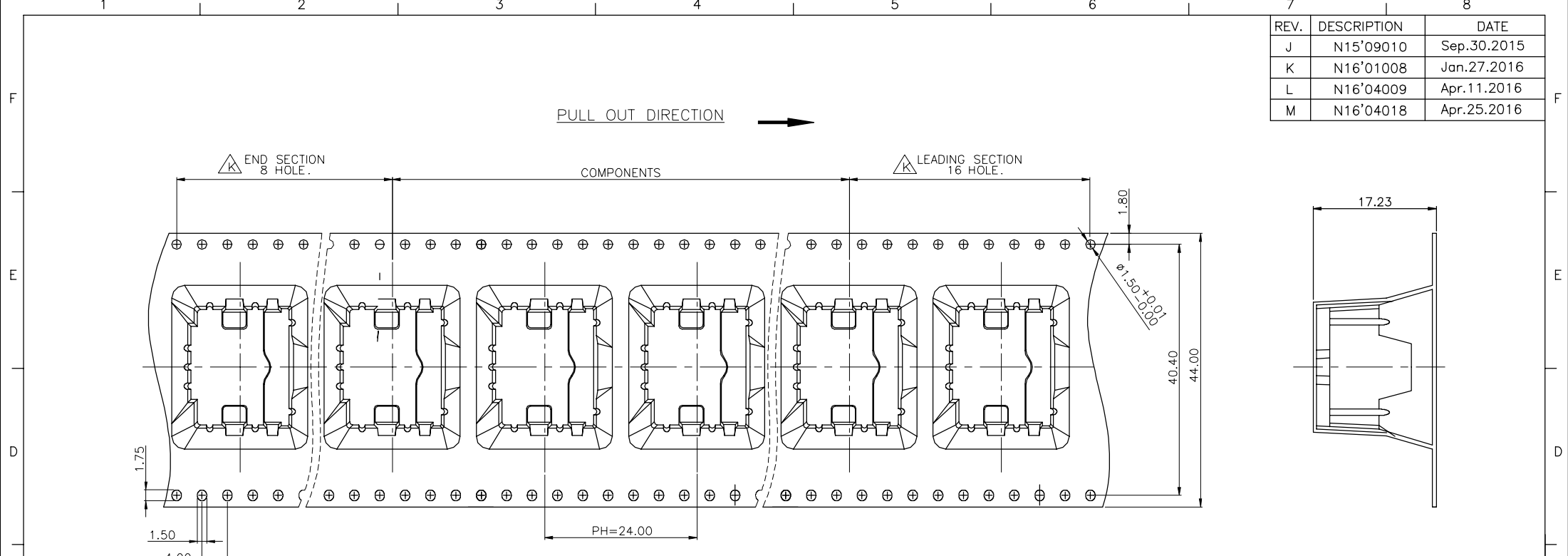


SECTION E-E

DESCRIPTION OF PLATING ON TERMINALS			
NO.	EXPLAIN	NO.	
0	GOLD FLASH	3	GOLD 15u''
6	GOLD 30u''		

TOLERANCE	DRAWER	 ASTRON TECHNOLOGY CORP.	
.0=±0.38	CHECK		
.00=±0.25	APP'D		
.000=±0.05	PRODUCT SPEC.	NAME	
ANG.=±3°		DISPLAYPORT SMT TYPE FEMALE (SCREW THREAD M2)-8.78mm	
UNITS : mm		DRAW NO.	
SCALE NONE	SIZE A7	SHEET 1 OF 2	REV. M
			R699FA20-XN004D-H

REV.	DESCRIPTION	DATE
J	N15'09010	Sep.30.2015
K	N16'01008	Jan.27.2016
L	N16'04009	Apr.11.2016
M	N16'04018	Apr.25.2016



TAPE & REEL PACKAGE :

MATERIALS

1. CARRIER TAPE: POLYSTYREN (PS)
2. COVER TAPE: POLYSTYREN (PS)
3. REEL: POLYSTYREN (PS)

QUANTITY

- ⚠ 1. 250PCS PER REEL
- ⚠ 2. 5 REEL PER CARTON(1250PCS PER CARTON)
- ⚠ (CARTON :L=400mm, W=400mm, H=270mm)

TOLERANCE		DRAWER		Astron ASTRON TECHNOLOGY CORP.
.0=±0.38		CHECK		
.00=±0.25		APP'D		
.000=±0.05		PRODUCT SPEC.		NAME
ANG.=±3°		UNITS : mm		DISPLAYPORT SMT TYPE FEMALE (SCREW THREAD M2)-8.78mm
		SCALE NONE		DRAW NO.
SIZE A7		SHEET 2 OF 2		R699FA20-XN004D-H
REV. M		REV. M		