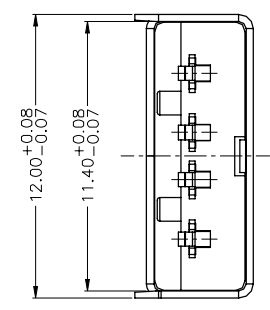
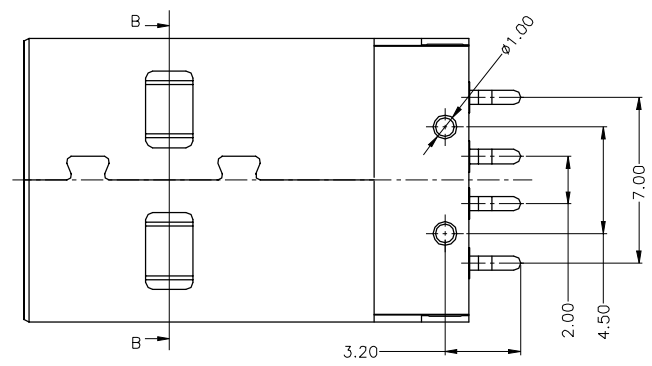
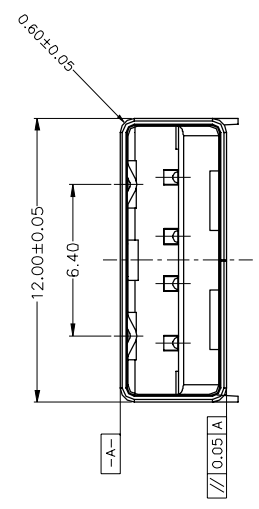
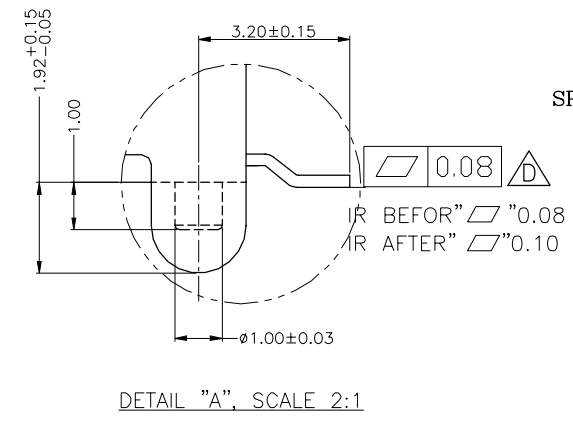
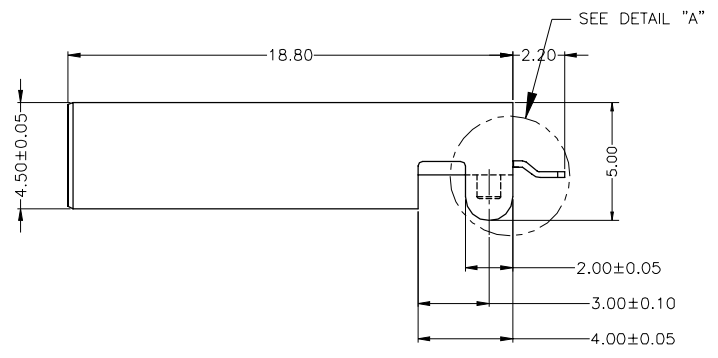
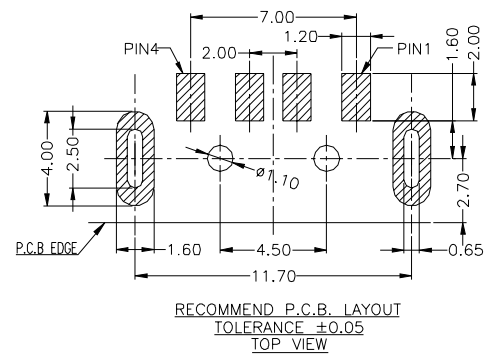
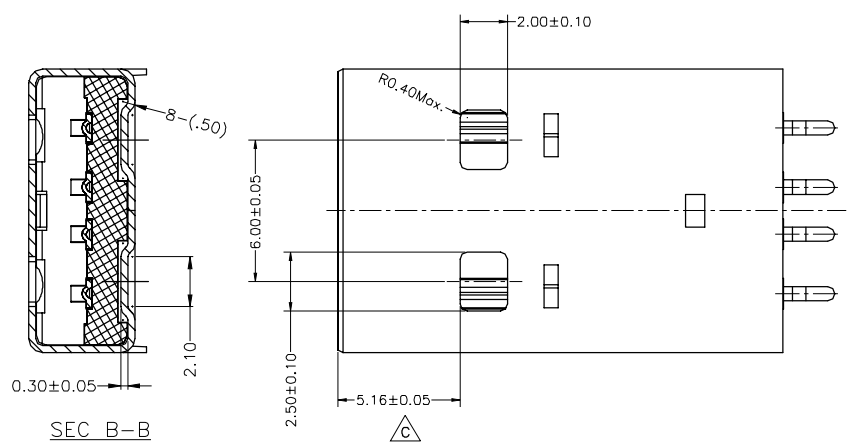


REV.	DESCRIPTION	DATE
B	10'1046	Oct.28,2010
C	N13'01003	Jan.17,2013
D	N13'05034	Mar.10,2013



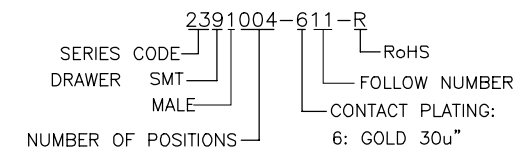
MATERIAL

- HOUSING :THERMOPLASTIC UL 94V-0 BLACK
- SHELL : STAINLESS STEEL(T=0.30mm)
PLATING : NICKEL PLATED OVERALL
- TERMINAL : COPPER ALLOY (T=0.25mm)
PLATING : GOLD PLATED ON CONTACT AREA
TIN PLATED ON SOLDER TAILS
NICKEL UNDER PLATED OVERALL

SPECIFICATION

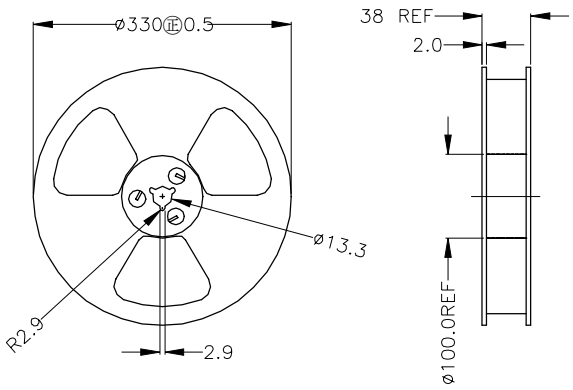
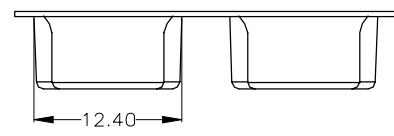
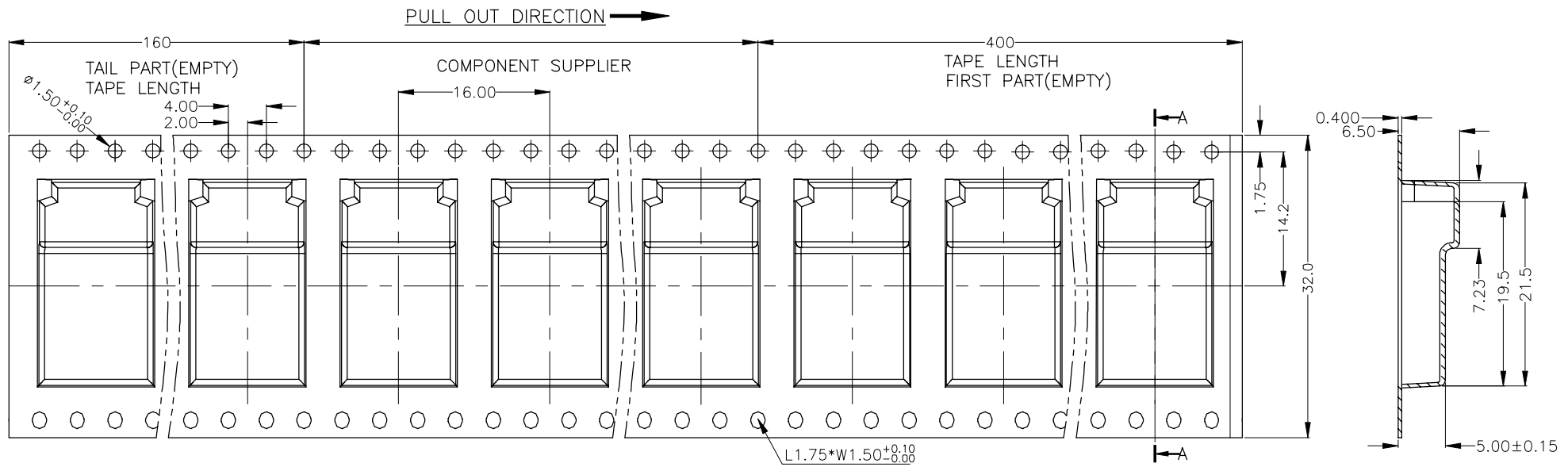
- CURRENT RATING : 1A. MAX.
- INSULATION RESISTANCE:1000MΩ Min
- DIELECTRIC WITHSTANDING VOLTAGE :
750V AC R.M.S. FOR ONE MINUTE.
- CONTACT RESISTANCE :30mΩ MAX.
- MATING FORCE:3.57KGF MAX.
UNMATING FORCE:1.02KGF MIN.
- OPERATING TEMPERATURE :
-25°C TO +85°C.

PART NUMBER INFORMATION :

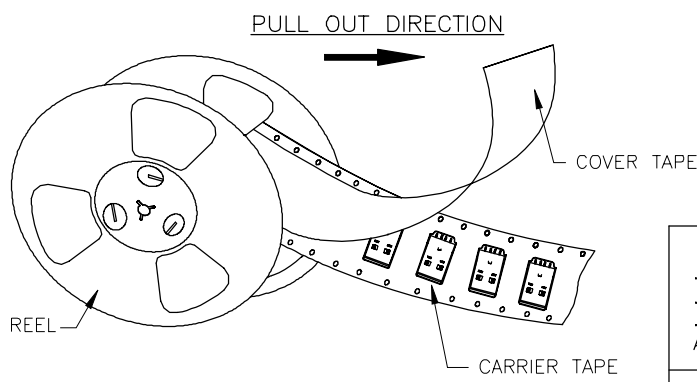


TOLERANCE		DRAWER		Astron ASTRON TECHNOLOGY CORP.
.0=±0.25		CHECK		
.00=±0.15		APP'D		
.000=±0.05		PRODUCT SPEC.		NAME
ANG.=±3'		—		USB A TYPE MALE SMT TYPE
UNITS : mm		—		DRAW NO.
SCALE NONE		SIZE A4		R2391004-611-R
—		SHEET 1 OF 2		—
—		REV. D		—

REV.	DESCRIPTION	DATE
B	10'1046	Oct.28,2010
C	N13'01003	Jan.17,2013
D	N13'05034	Mar.10,2013



REEL FOR CARRIER TAPE



TAPE & REEL PACKAGE :

MATERIALS

- 1. CARRIER TAPE: POLYSTYREN (PS)
- 2. COVER TAPE: POLYSTYREN (PS)
- 3. REEL: POLYSTYREN (PS)

QUANTITY

- 1. 600PCS PER REEL
- 2. 8 REELS PER CARTON(4800PCS PER CARTON)

TOLERANCE .0=±0.25 .00=±0.15 .000=±0.05 ANG.=±3°		DRAWER CHECK APP'D	 ASTRON TECHNOLOGY CORP. NAME USB A TYPE MALE SMT TYPE
UNITS : mm SCALE NONE SIZE A4		PRODUCT SPEC. SHEET 2 OF 2 REV. D	