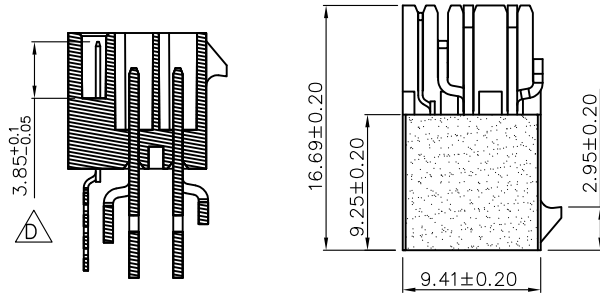
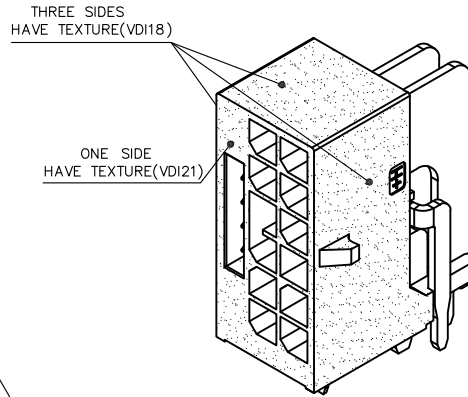


RoHS & HF Compliant

REV.	DESCRIPTION	DATE
A	N21'11002	Nov.17, 2021
B	MODIFY DRAW	Jun.21, 2022
C	MODIFY DRAW	Aug.09, 2022
D	N22'11004	Nov.22, 2022



SECTION A-A

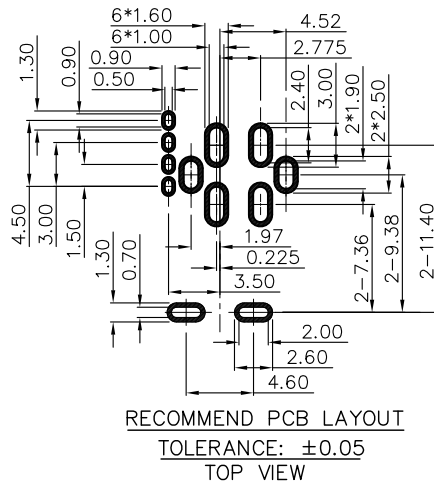
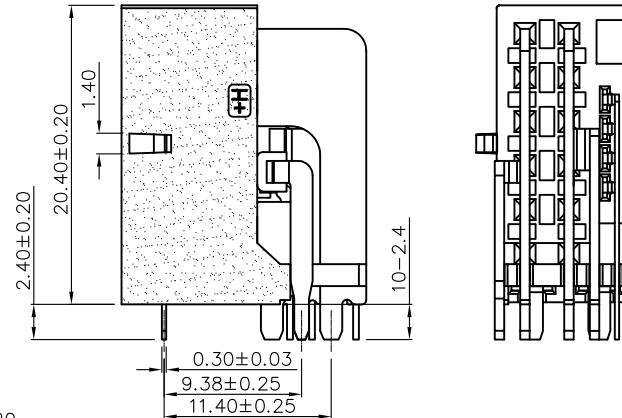
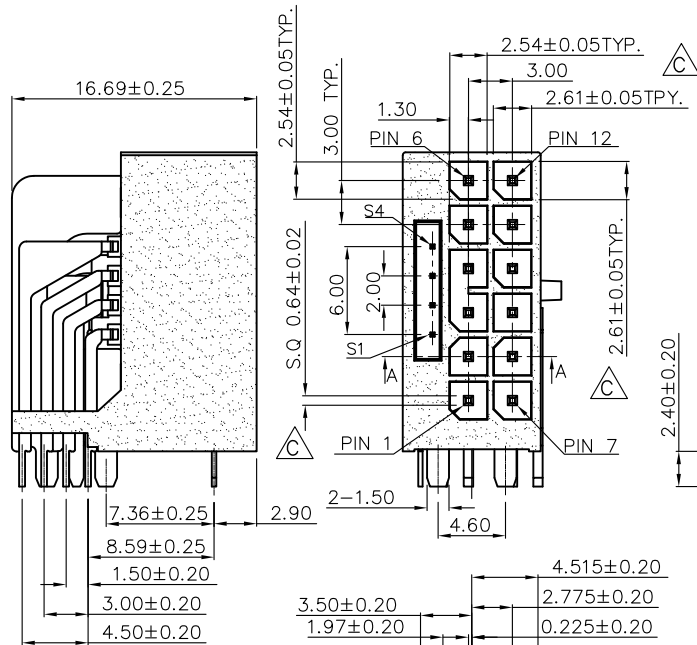


**MATERIALS:**

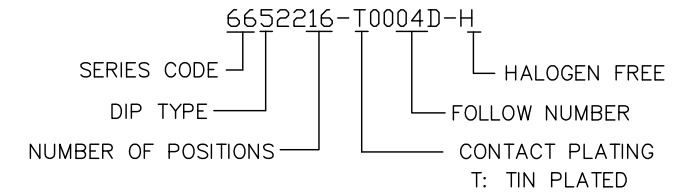
- HOUSING: HTN, UL94 V-0(E41938) BLACK.  $\triangle C$
- TERMINAL:  $\triangle D$   
 PWR & GND PIN: C1100.  
 SENSE PIN: C5191R-EH.  
 BOARD LOCK: C2680.  
 PLATING: 80u" MIN TIN PLATED OVERALL,  
 30u"~100u" NICKEL UNDER PLATED.

**SPECIFICATION:**

- CURRENT RATING : 9.2A PER PIN(1~12PIN).  
1.0A PER PIN(S1~S4).  $\triangle B$
- DIELECTRIC WITHSTANDING VOLTAGE :  
1500V AC R.M.S. FOR ONE MINUTE.(1~12PIN).  
500V AC R.M.S. FOR ONE MINUTE.(S1~S4).
- CONTACT RESISTANCE : 6m $\Omega$  MAX (INITIAL) (1~12PIN).  
10m $\Omega$  MAX (INITIAL) (S1~S4).
- INSULATION RESISTANCE : 1000M $\Omega$  MIN. AT 500V DC.
- INSERTION FORCE: 0.71KgF MAX/PER PIN
- WITHDRAWAL FORCE: 0.14KgF MIN/PER PIN
- DURABILITY: 30 CYCLES.
- OPERATING TEMPERATURE : -40°C TO +105°C.
- MAX. PROCESSING TEMP.: 230°C FOR 60 SECONDS.  
260°C FOR 10 SECONDS.



**PART NUMBER INFORMATION :**

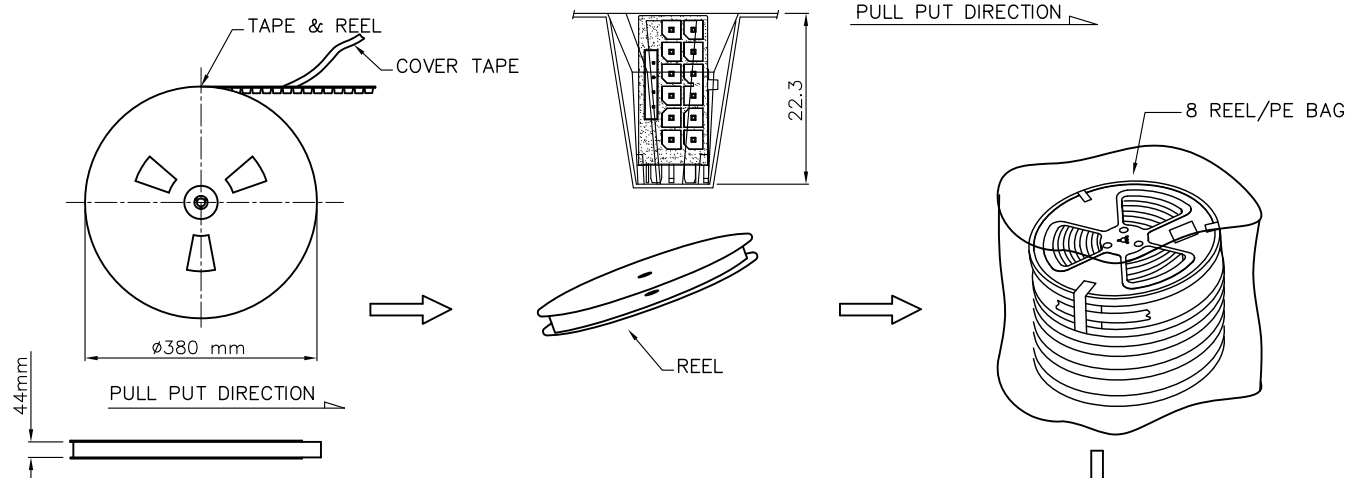
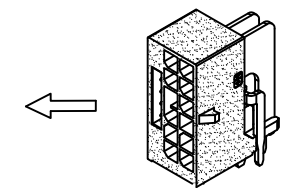
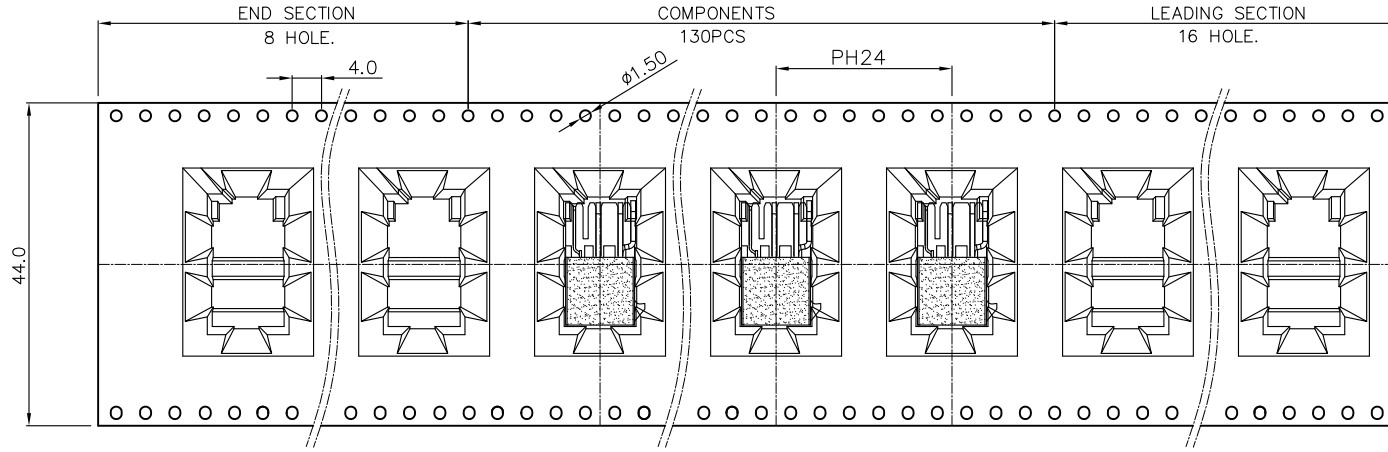


PIN SIGNAL	PIN NO.
PWR PIN	1/2, 3/4, 5/6
GND PIN	7/8, 9, 10/11/12
S1	CARD_PWR_STABLE
S2	CARD_CBL_PRES#
S3	SENSE0
S4	DO NOT USE

TOLERANCE .0= $\pm 0.25$ .00= $\pm 0.15$ .000= $\pm 0.05$ ANG.= $\pm 3^\circ$	DRAWER <i>CHK</i> CHECK <i>JGNY</i> APP'D <i>JGNY</i> PRODUCT SPEC.	 <b>Astron</b> ASTRON TECHNOLOGY CORP. NAME 12VHPWR CONNECTOR 3.0mm PITCH, DIP TYPE DRAW NO. R6652216-T0004D-H
UNITS : mm SCALE NONE SIZE A6	SHEET 1 OF 2 REV. D	

RoHS & HF Compliant

REV.	DESCRIPTION	DATE
A	N21'11002	Nov.17, 2021
B	MODIFY DRAW	Jun.21, 2022
C	MODIFY DRAW	Aug.09, 2022
D	N22'11004	Nov.22, 2022



**TAPE & PACKAGE :**

**MATERIAL :**

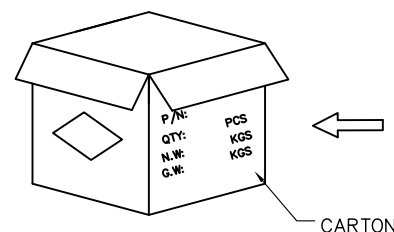
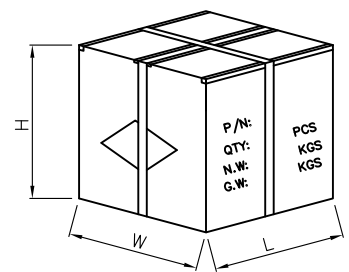
1. CARRIER TAPE : PS
2. COVER TAPE: PE
3. REEL : PS

**QUANTITY:**

1. 130 PCS/REEL.
2. 8 REEL/CARTON: 1040PCS.

**DIMENSION :**

REEL SIZE :  
 DIA=380.0mm, W=44.0mm  
 CARTON :  
 L=400mm, W=400mm, H=420mm



TOLERANCE .0=±0.25 .00=±0.15 .000=±0.05 ANG.=±3°	DRAWER CHEN	ASTRON TECHNOLOGY CORP.  NAME 12VHPWR CONNECTOR 3.0mm PITCH, DIP TYPE  DRAW NO. R6652216-T0004D-H
	CHECK JYONY	
APP'D JYONY	PRODUCT SPEC.	
UNITS : mm SCALE NONE SIZE A6 SHEET 2 OF 2 REV. D	REV. D	