

REV.	DESCRIPTION	DATE
1	PRELIMINARY	Dec. 26, 2021
2	MODIFY DRAWING	Apr. 20, 2023
3	MODIFY DRAWING	Jun. 29, 2023
A	RELEASED	Aug. 17, 2023

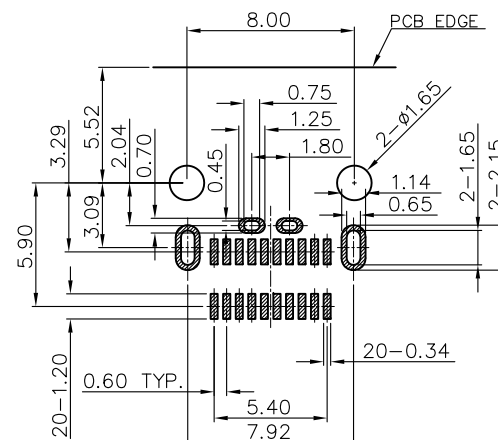
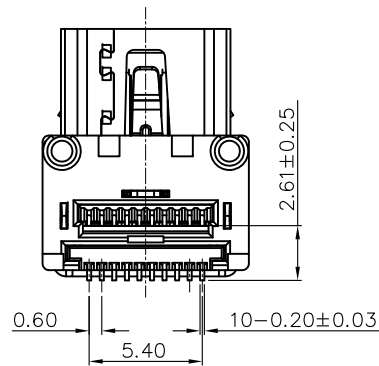
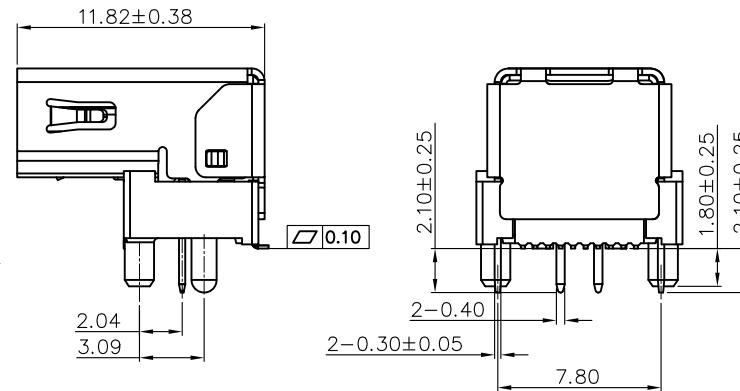
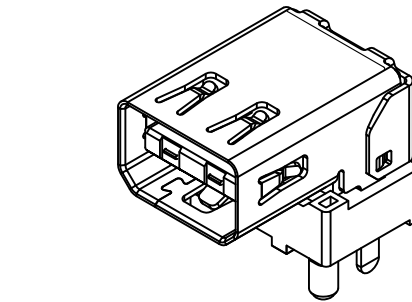
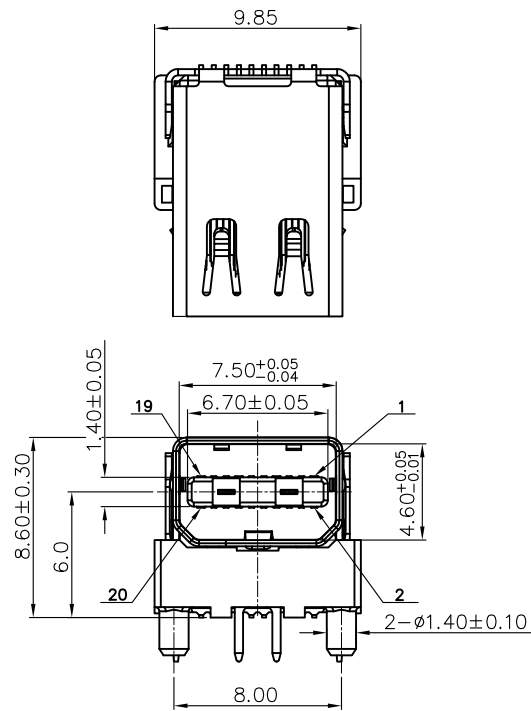
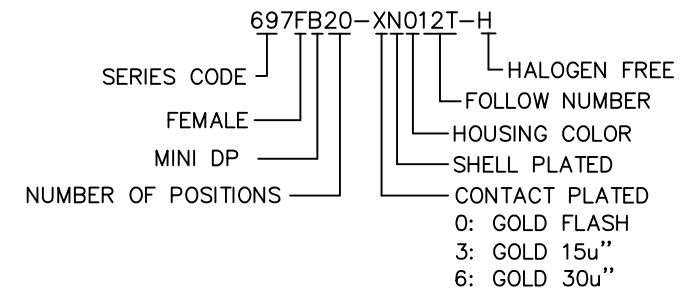
MATERIALS

- HOUSING : LCP, (UL 94V-0) BLACK.
- TERMINAL : BRASS (T=0.15mm)
PLATING: GOLD FLASH PLATING ON CONTACT AREA,
TIN PLATED ON SOLDER TAILS,
NICKEL UNDER PLATED OVERALL.
- SHELL : STAINLESS STEEL (T=0.30mm)
PLATING: NICKEL PLATED OVERALL.
- MID PLATE: STAINLESS STEEL (T=0.20mm).
- COVER: LCP, (UL 94V-0) BLACK.

SPECIFICATION

- CURRENT RATING : 0.5A MAX
- CONTACT RESISTANCE : 30mΩ MAX.
- DIELECTRIC WITHSTANDING VOLTAGE :
500V AC R.M.S. FOR ONE MINUTE.
- INSULATION RESISTANCE : 100MΩ MIN AT 500V DC.
- OPERATING TEMPERATURE : -25°C TO +85°C.
- DURABILITY : 10000 CYCLES.
- MATING FORCE : 4.5Kgf MAX.
- UNMATING FORCE : 1.0Kgf~4.0Kgf.

PART NUMBER INFORMATION :



RECOMMENDED PCB LAYOUT
TOLERANCE: ±0.05
TOP VIEW

GENERAL TOLERANCE	DRAWER	ASTRON connectivity			
DIM. .0 = ±0.25 .00 = ±0.15 .000 = ±0.05	Chen				
	CHECK	NAME Enh mDP Connector Receptacle, SMT TYPE (6.0MM CENTER HEIGHT)			
	Stony				
ANG. 0° = ±X° .0° = ±3° .00° = ±X°	APP'D	P/N. 697FB20-XN012T-H			
	Stony				
3rd ANGLE PROJECTION	PRODUCT SPEC.	CONFIDENTIAL			
UNITS : mm					
SCALE NONE	SIZE A4	SHEET 1 OF 1	REV. A	14026	C NO.