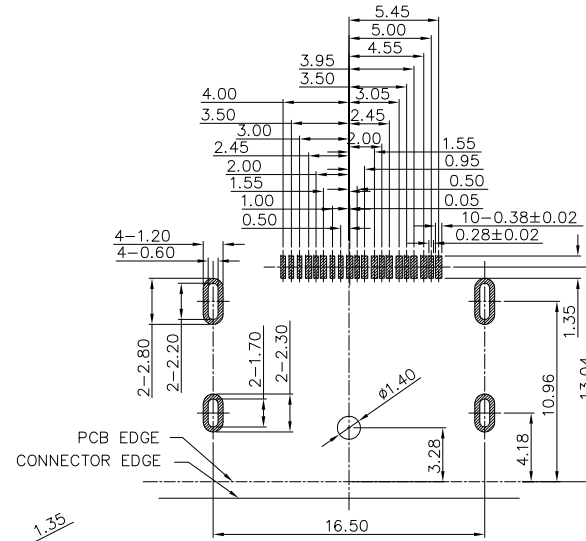
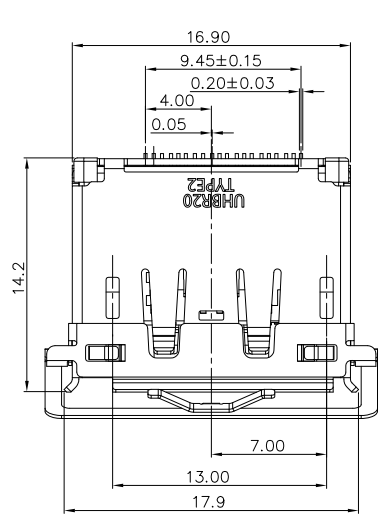
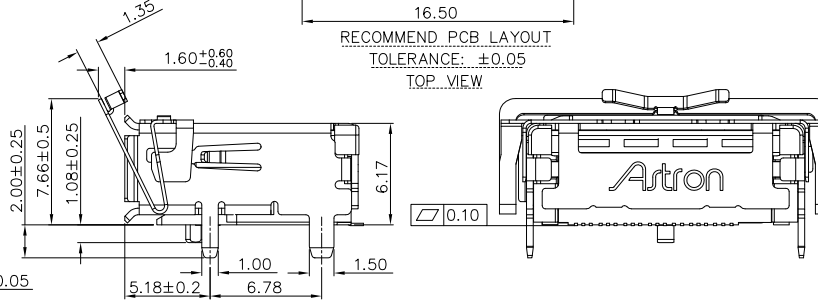
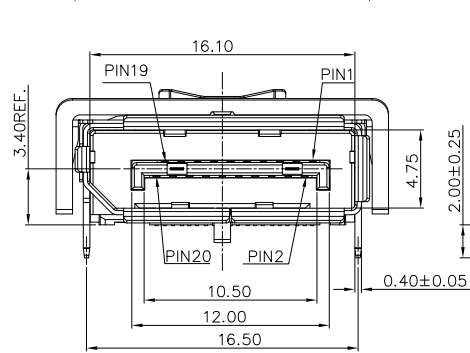


REV.	DESCRIPTION	DATE
1	PRELIMINARY	Feb. 17, 2023
A	RELEASED	Aug. 17, 2023



RECOMMEND PCB LAYOUT  
TOLERANCE: ±0.05  
TOP VIEW



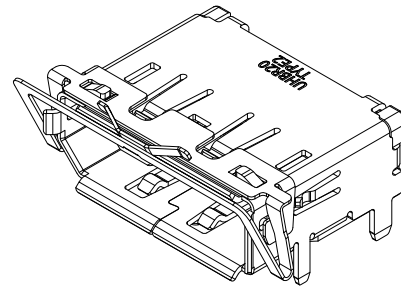
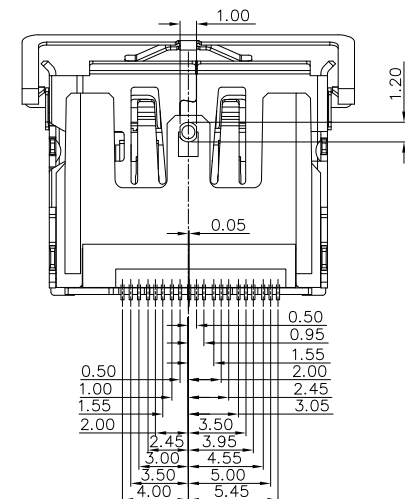
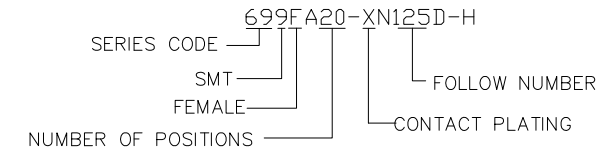
### MATERIALS

- HOUSING : LCP (UL94V-0), BLACK.
- TERMINAL : BRASS, T=0.15mm  
GOLD PLATED ON CONTACT AREA.  
TIN PLATED ON SOLDER TAIL,  
UNDER NICKEL PLATED.
- SHELL : BRASS, T=0.40mm, NICKEL PLATED.
- EMI : STAINLESS STEEL, T=0.12mm.
- SPRING : STAINLESS STEEL, T=0.20mm.

### SPECIFICATION

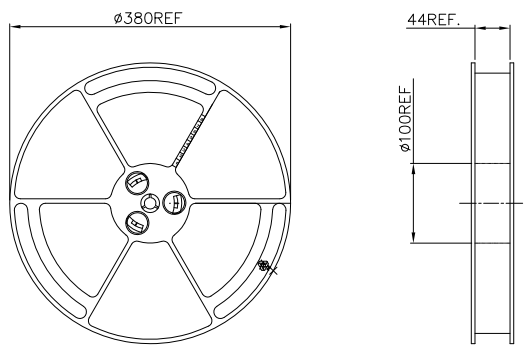
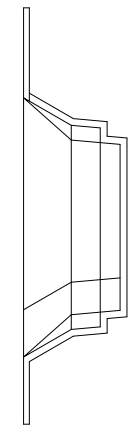
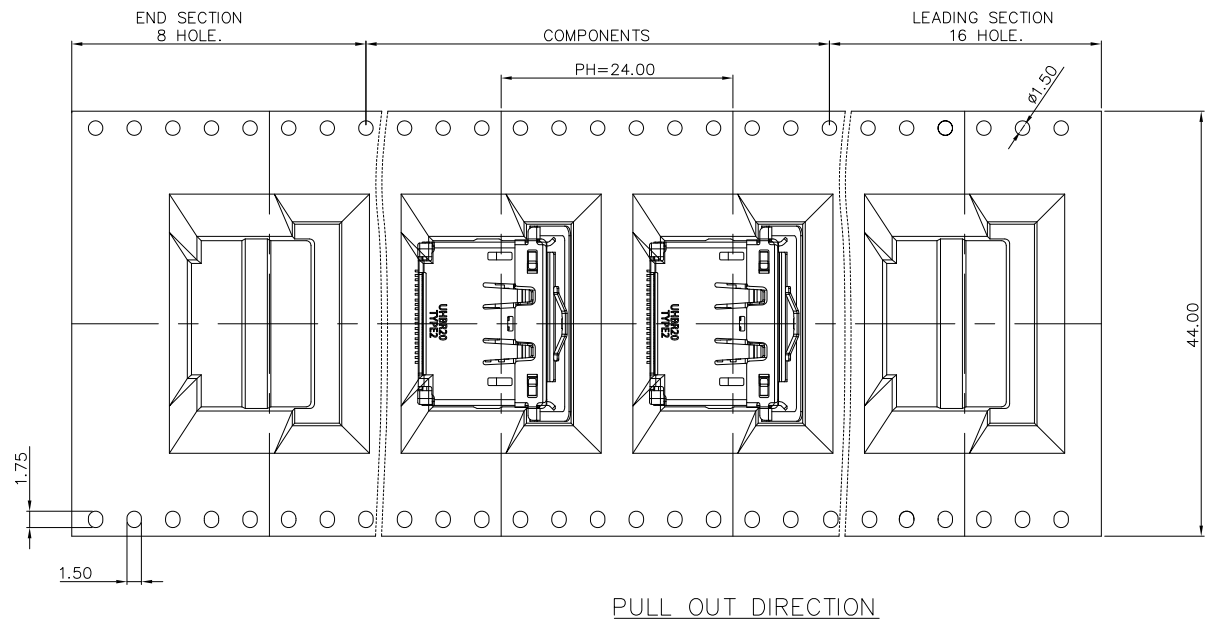
- CURRENT RATING : 0.5A. MAX.
- DIELECTRIC WITHSTANDING VOLTAGE :  
500V AC R.M.S. FOR ONE MINUTE.
- INSULATION RESISTANCE : 100MΩ MIN. AT 500V DC.
- CONTACT RESISTANCE : 30mΩ MAX.
- OPERATING TEMPERATURE : -25°C TO +85°C.
- DURABILITY : 10000 CYCLES.
- MATING FORCE : 4.5kgf MAX.
- UNMATING FORCE : 1.0kgf MIN.

### PART NUMBER INFORMATION

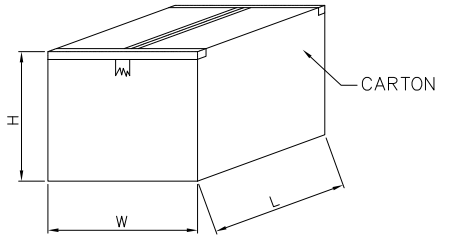
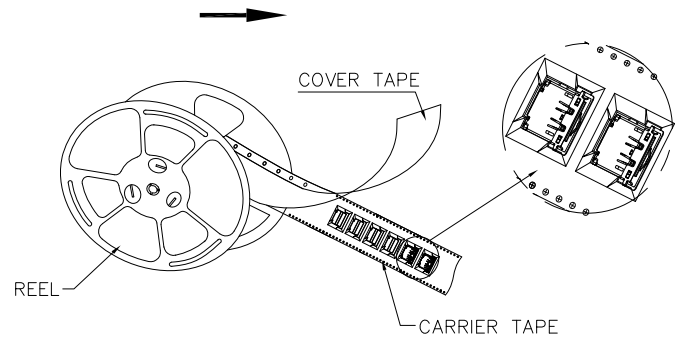


DESCRIPTION OF PLATING ON TERMINALS			
NO.	EXPLAIN	NO.	
0	GOLD FLASH	1	GOLD 3u"
3	GOLD 15u"	6	GOLD 30u"
GENERAL TOLERANCE		DRAWER <i>Chen</i>	
DIM.	.0 = ±0.25 .00 = ±0.15 .000 = ±0.05	CHECK <i>Stony</i>	
ANG.	0° = ±5° .0° = ±3° .00° = ±1°	APP'D <i>Stony</i>	
3rd ANGLE PROJECTION		PRODUCT SPEC.	
UNITS : mm		NAME	
SCALE		ASTRON connectivity	
SIZE		Enh FS DP Receptacle Connector (Type2), SMT TYPE WITH SPRING	
SHEET		CONFIDENTIAL	
REV.		P/N. 699FA20-XN125D-H	
NONE		14026	
A4		C NO.	
1 OF 2		A	

REV.	DESCRIPTION	DATE
1	PRELIMINARY	Feb. 17, 2023
A	RELEASED	Aug. 17, 2023



REEL FOR CARRIER TAPE



CARTON

**TAPE & REEL PACKAGE :  
SIZE**

- 1. REEL :  $\phi 380 \times 44$  mm
- CARTON : L=400mm, W=400mm, H=270mm

**QUANTITY**

- 1. 300 PCS PER REEL.
- 2. 5 REEL PER CARTON (1,500 PCS PER CARTON).

**MATERIALS**

- 1. CARRIER TAPE: POLYSTYREN (PS)
- 2. COVER TAPE: POLYSTYREN (PS)
- 3. REEL: POLYSTYREN (PS)

GENERAL TOLERANCE		DRAWER <i>Chen</i>		<b>ASTRON connectivity</b>	
DIM. .0 = $\pm 0.25$ .00 = $\pm 0.15$ .000 = $\pm 0.05$		CHECK <i>Stony</i>			
ANG. 0.° = $\pm 5'$ .0° = $\pm 3'$ .00° = $\pm 1'$		APP'D <i>Stony</i>		NAME Enh FS DP Receptacle Connector (Type2), SMT TYPE WITH SPRING	
3rd ANGLE PROJECTION 		PRODUCT SPEC.		P/N. 699FA20-XN125D-H	
UNITS : mm		<b>CONFIDENTIAL</b>		14026	
SCALE NONE	SIZE A4	SHEET 2 OF 2	REV. A	C NO.	