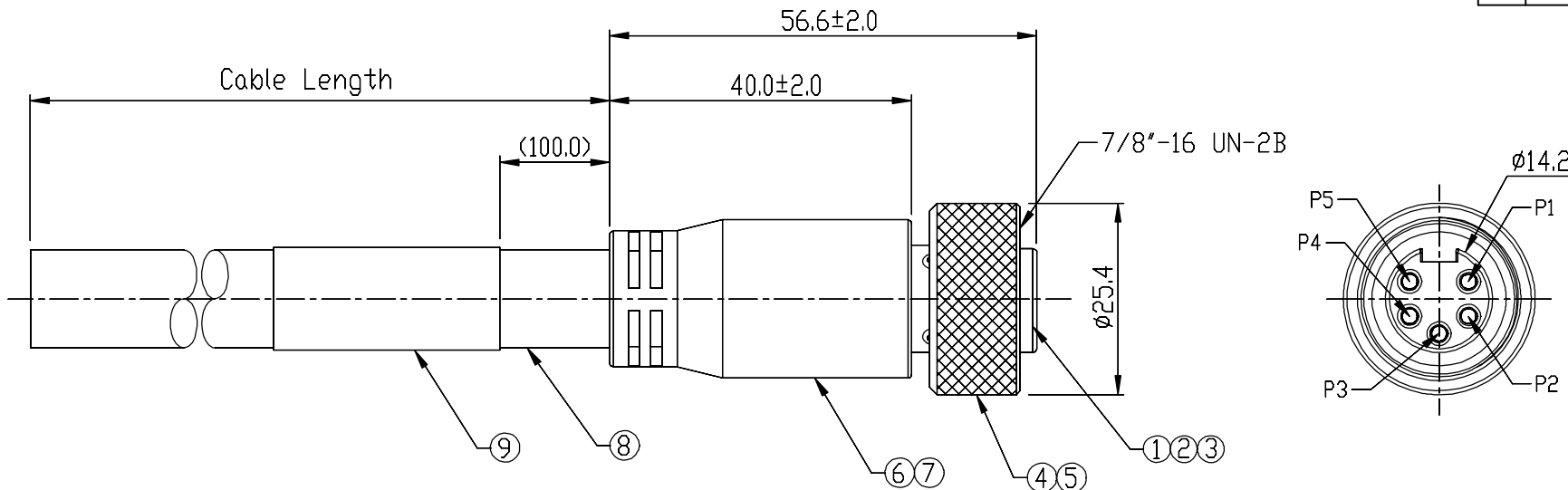


REV.	DESCRIPTION	DATE
A	RELEASE	Oct.10, 2018



Materials:

Item	Part Name	Material / Finish	Q'ty
9	Label	Color: Yellow	1
8	Cable	ST00W PVC, 16AWG*5C OD=13.0mm, Color: Black	1
7	Over Mold	PVC Color: Black	1
6	Inner Mold	PVC Color: Black	1
5	Screw Nut	Copper Alloy Finish: Ni Plated	1
4	Gasket	Silicone Color: Black	1
3	Sleeve	Copper Alloy Color: Ni Plated	5
2	Contacts	Copper Alloy Finish: Au Plated	5
1	Housing	PVC Color: Black	1

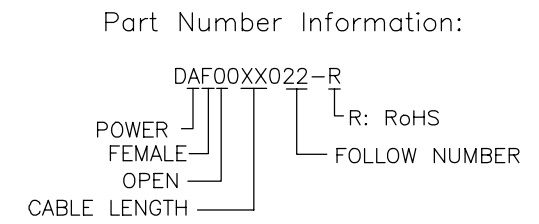
DAF0000022-R	10000 mm	±500
DAF0090022-R	9000 mm	±450
DAF0080022-R	8000 mm	±400
DAF0070022-R	7000 mm	±350
DAF0060022-R	6000 mm	±300
DAF0050022-R	5000 mm	±250
DAF0040022-R	4000 mm	±200
DAF0030022-R	3000 mm	±150
DAF0020022-R	2000 mm	±100
DAF0010022-R	1000 mm	±50
DAF0009022-R	900 mm	±40
DAF0008022-R	800 mm	±40
DAF0007022-R	700 mm	±40
DAF0006022-R	600 mm	±40
DAF0005022-R	500 mm	±40
DAF0004022-R	400 mm	±40
DAF0003022-R	300 mm	±40
DAF0002022-R	200 mm	±40

Part No.	Cable Length	Tol.
----------	--------------	------

Notes: (Unless Otherwise Specified)
 1. Waterproof Rate: IP68.
 2. RoHS Compliant.

- 1 White
- 2 Red
- 3 Green(Ground)
- 4 Orange
- 5 Black

Wiring Diagram



TOLERANCE .0=±0.50 .00=±0.20 .000=±0.05 ANG.=±1°	DRAWER <i>EXER</i>	 ASTRON TECHNOLOGY CORP.
 UNITS : mm	CHECK <i>JYUNY</i>	
SCALE NONE	SIZE A5	DRAW NO. DAF00XX022-R
SHEET 1 OF 1	REV. A	