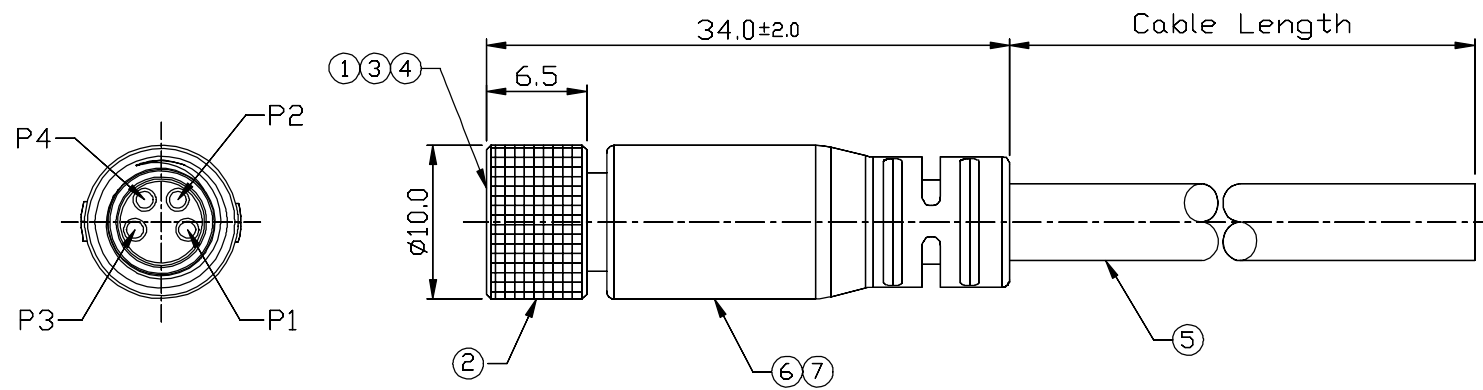


REV.	DESCRIPTION	DATE
A	RELEASE	Oct.10, 2018



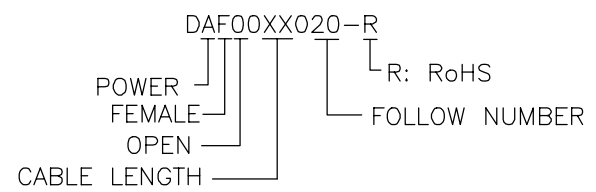
1	Black
2	Brown
3	Red
4	Orange

Wiring Diagram

Notes: (Unless Otherwise Specified)

1. Waterproof Rate: IP68.
2. Durability: 100 Cycles Min.
3. DWV: 650 Vrms.
4. Rated Voltage: 30V AC/DC.
5. Insulation Resistance: 100 MΩ Min.
6. RoHS Compliance.

Part Number Information:



Materials:

Item	Part Name	Material / Finish	Qty
7	Over Mold	PVC Color: Black	1
6	Inner Mold	Thermal Plastic Color: White	1
5	Cable	UL2464 22AWG*4C+Talc(UV) Color: Black, $\square D=5.0\pm 0.2\text{mm}$	1
4	O-Ring	NBR Color: Red	1
3	Contacts	Copper Alloy Finish: Au Plated	4
2	Screw Nut	Copper Alloy Finish: Ni Plated	1
1	Housing	Thermal Plastic Color: Black	1

DAF0000020-R	10000 mm	±500
DAF0090020-R	9000 mm	±450
DAF0080020-R	8000 mm	±400
DAF0070020-R	7000 mm	±350
DAF0060020-R	6000 mm	±300
DAF0050020-R	5000 mm	±250
DAF0040020-R	4000 mm	±200
DAF0030020-R	3000 mm	±150
DAF0020020-R	2000 mm	±100
DAF0010020-R	1000 mm	±50
DAF0005020-R	500 mm	±40
Part No.	Cable Length	Tol.

TOLERANCE .0=±0.50 .00=±0.20 .000=±0.05 ANG.=±1°	DRAWER <i>EXER</i>	 ASTRON TECHNOLOGY CORP.
	CHECK <i>JYUNY</i>	
 UNITS : mm	APP'D <i>JYUNY</i>	DRAW NO. DAF00XX020-R
	SCALE NONE	SIZE A5
REVISIONS REV. A		