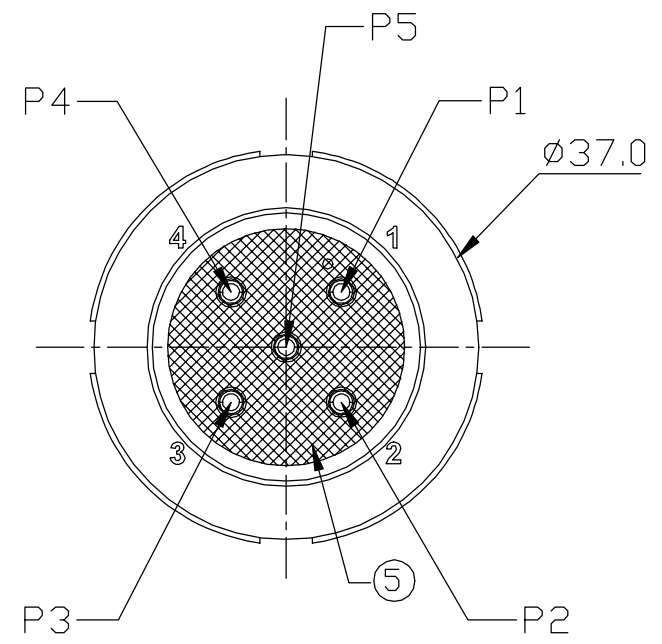
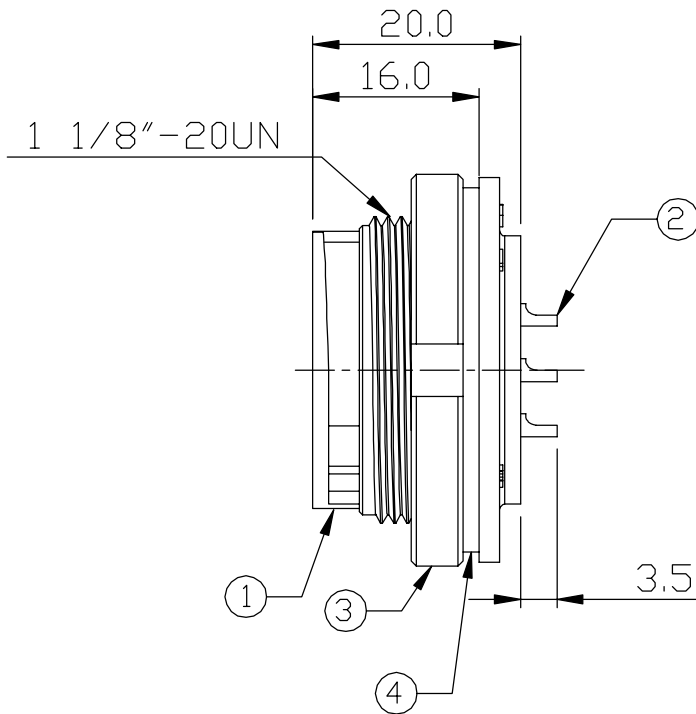
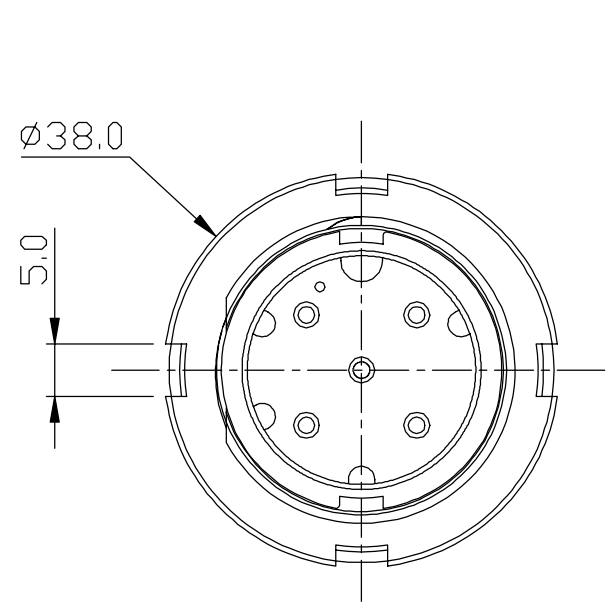


REV.	DESCRIPTION	DATE
A	RELEASE	Oct.15, 2018

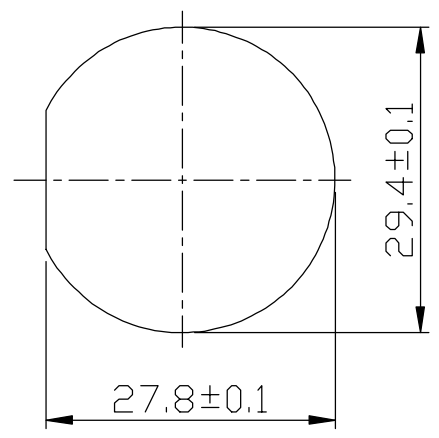


Notes: (Unless Otherwise Specified)

1. Waterproof Rate : IP67.
2. Recommend Panel Thickness: 0.8 to 4.0 mm.
3. Recommend Torque: 6.0~7.0 Kgf-cm.
4. RoHS Compliance.

Materials:

Item	Part Name	Material/Finish	Q'ty
1	Housing	Thermal Plastic Color: Black	1
2	Contacts	Copper Alloy Finish: Au. Plated	5
3	Spanner Nut	Thermal Plastic Color: Black	1
4	Gasket	Silicone Color: Black	1
5	Glue	Epoxy Color: Black	



Recommended Panel Cut-Out

Part Number Information:

302M005-00002D-R

SERIES CODE | CRIMPING | MALE | NUMBER OF PIN | R: RoHS | FOLLOW NUMBER | CONTACT PLATING  
0: GOLD FLASH

<b>TOLERANCE</b> .0=±0.25 .00=±0.15 .000=±0.05 ANG.=±3°	<b>DRAWER</b> <i>EXBR</i>	 <b>ASTRON TECHNOLOGY CORP.</b>
	<b>CHECK</b> <i>JYUNY</i>	
 <b>UNITS : mm</b>	<b>APP'D</b> <i>JYUNY</i>	<b>DRAW NO.</b> R302M005-00002D-R
	<b>PRODUCT SPEC.</b> —	<b>SHEET</b> 1 OF 1
<b>SCALE</b> NONE	<b>SIZE</b> A5	<b>REV.</b> A