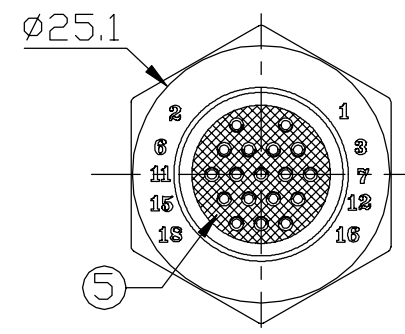
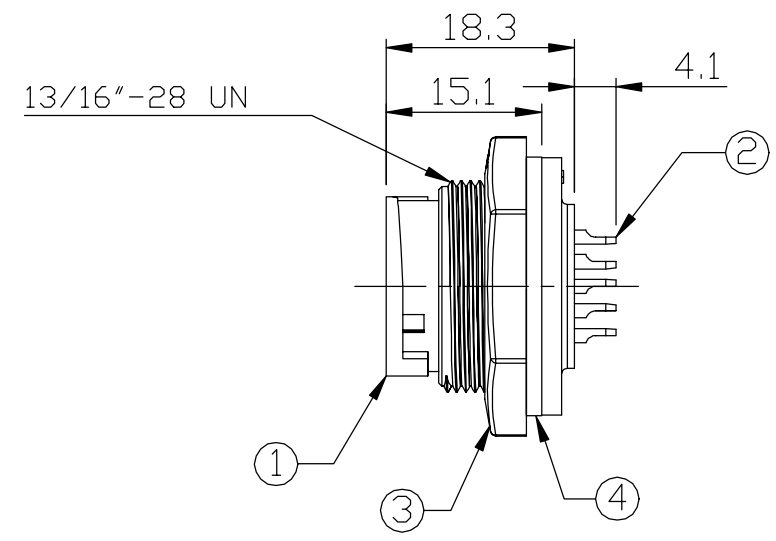
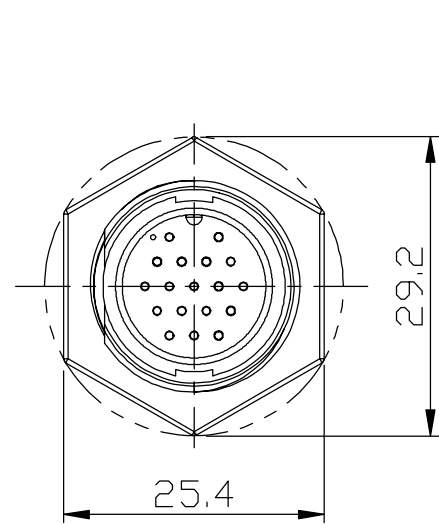


REV.	DESCRIPTION	DATE
A	RELEASE	Oct.15, 2018

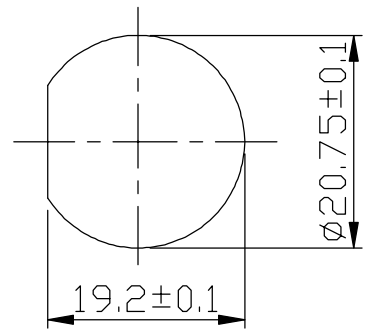


Notes: (Unless Otherwise Specified)

1. Waterproof Rate : IP67.
2. Recommend Panel Thickness: 0.8 to 4.0 mm.
3. Recommend Torque: 6~7 Kgf-cm.
4. RoHS Compliant.

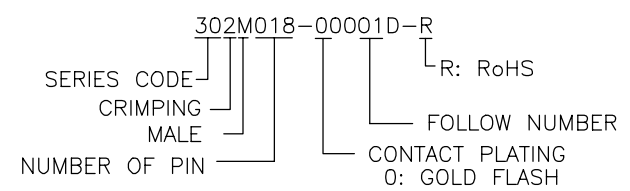
Materials:

5	Glue	Epoxy Color: Black	
4	Gasket	Silicone Color: Black	1
3	Hex Nut	Thermoplastic Color: Black	1
2	Contacts	Copper Alloy Finish: Au Plated	18
1	Housing	Thermoplastic Color: Black	1
Item	Part Name	Material / Finish	Q'ty



Recommend
Panel Cut-Out

Part Number Information:



TOLERANCE .0=±0.25 .00=±0.15 .000=±0.05 ANG.=±3°		DRAWER <i>EXR</i>		 ASTRON TECHNOLOGY CORP.
 UNITS : mm		CHECK <i>JYNY</i>		
SCALE NONE		APP'D <i>JYNY</i>		DRAW NO. R302M018-00001D-R
SIZE A5		PRODUCT SPEC. —		
REV. A		SHEET 1 OF 1		REV. A