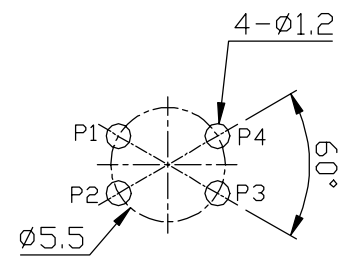
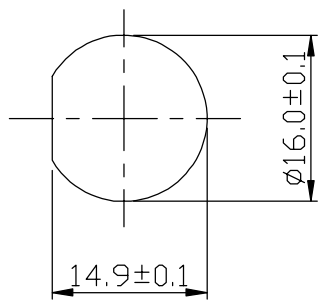
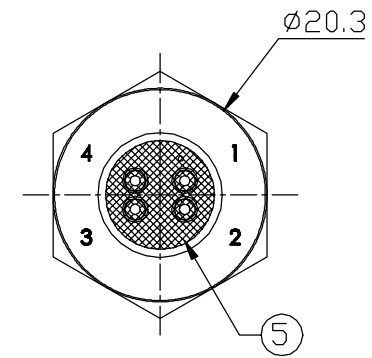
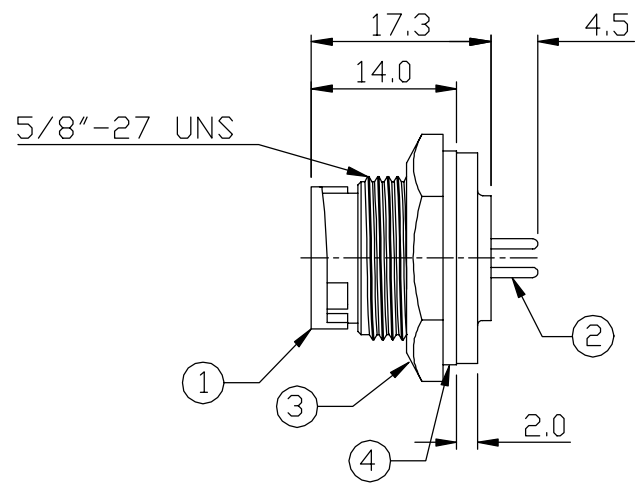
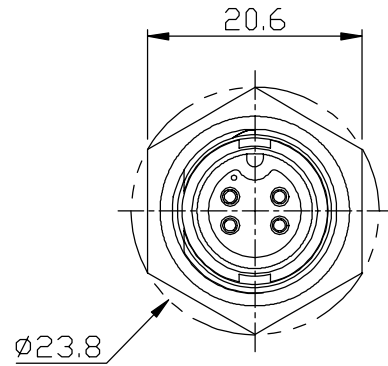


REV.	DESCRIPTION	DATE
A	RELEASE	Oct.15, 2018



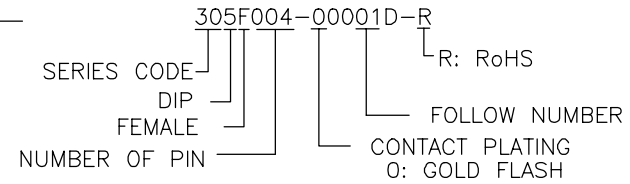
- Notes: (Unless Otherwise Specified)
1. Waterproof Rate : IP67.
  2. Recommend Panel Thickness : 0.8 to 4.0 mm.
  3. Recommend Torque: 6~7 Kgf-cm.
  4. RoHS Compliance.

Materials:

Recommend Panel Cut-Out

Recommend PCB Layout  
(Scale 2:1)

Part Number Information:



5	Glue	Epoxy Color: Black	
4	Gasket	Silicone Color: Black	1
3	Hex Nut	Thermal Plastic Color: Black	1
2	Contacts	Copper Alloy Finish: Au Plated	4
1	Housing	Thermal Plastic Color: Black	1
Item	Part Name	Material / Finish	Q'ty

<b>TOLERANCE</b> .0=±0.25 .00=±0.15 .000=±0.05 ANG.=±3°		<b>DRAWER</b> <i>CHER</i>	 ASTRON TECHNOLOGY CORP.	
 UNITS : mm		<b>CHECK</b> <i>JYUNY</i>		<b>NAME</b> C2 5A 4P PANEL FEMALE DIP LOCK
<b>SCALE</b> NONE		<b>SIZE</b> A5	<b>SHEET</b> 1 OF 1	<b>REV.</b> A
<b>DRAW NO.</b> R305F004-00001D-R				