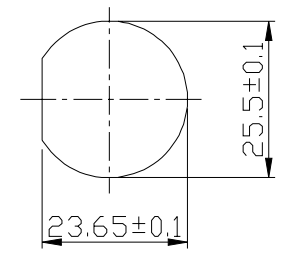
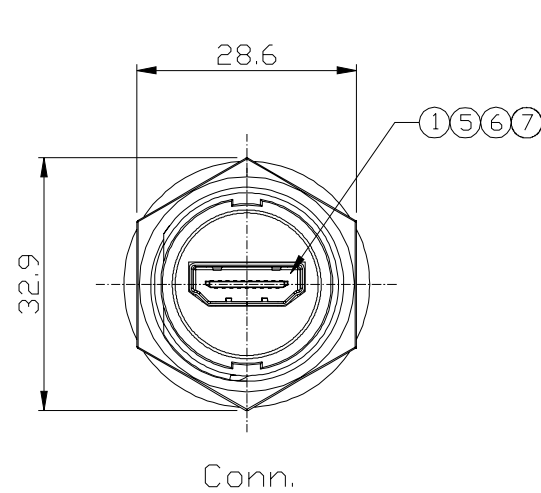
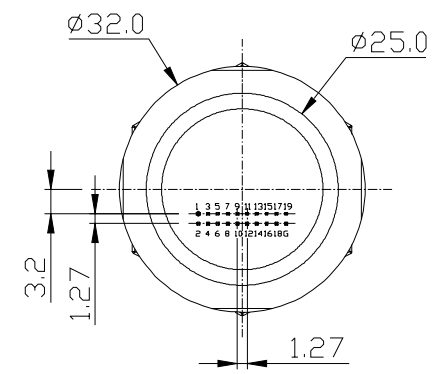
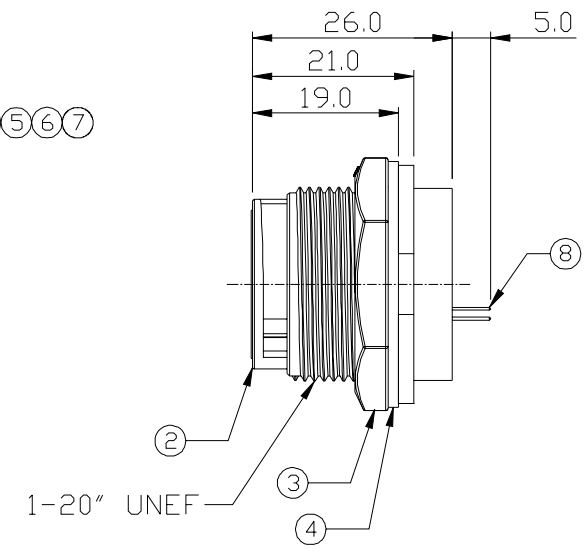


REV.	DESCRIPTION	DATE
A	RELEASE	Oct.12, 2015

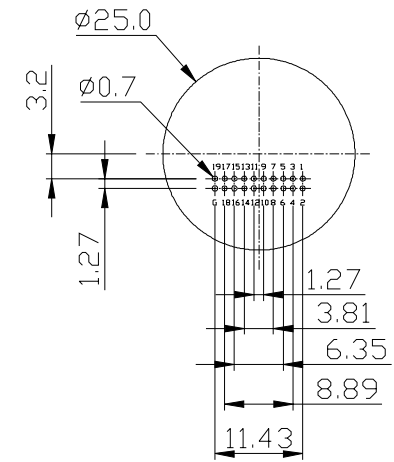
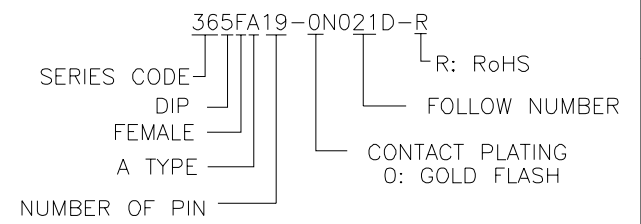


Recommend Panel Cut-Out



- Notes: (Unless Otherwise Specified)
1. Waterproof Rate: IPX7.
 2. RoHS Compliant.

Part Number Information:



Recommend PCB Layout

Materials:

Item	Part Name	Material / Finish	Q'ty
8	Pin Header	Housing: Thermoplastic, Color: Black Contacts: Copper Alloy, Finish: Au Plated	1
7	Glue	Epoxy Color: Black	1
6	Hold	Silicone Color: Black	1
5	PCB	FR-4 Color: Black	1
4	Gasket	Silicone Color: Black	1
3	Hex Nut	Thermoplastic Color: Black	1
2	Housing	Thermoplastic Color: Black	1
1	HDMI Female	Housing: Thermoplastic, Color: Black Contacts: Copper Alloy, Finish: Au Plated Shell: Copper Alloy, Finish: Ni Plated	1
		Silicone Material / Finish	

TOLERANCE .0=±0.50 .00=±0.20 .000=±0.05 ANG.=±1°	DRAWER <i>EXR</i>	 ASTRON TECHNOLOGY CORP.	
	CHECK <i>JYNY</i>		NAME HDMI C4 PLASTIC PANEL FEMALE LOCK DIP
 UNITS : mm	APP'D <i>JYNY</i>	DRAW NO. R365FA19-0N021D-R	
	SCALE NONE	SIZE A5	SHEET 1 OF 1
SCALE NONE	SIZE A5	SHEET 1 OF 1	REV. A