

REV.	DESCRIPTION	DATE
1	PRELIMINARY	Oct. 19, 2018

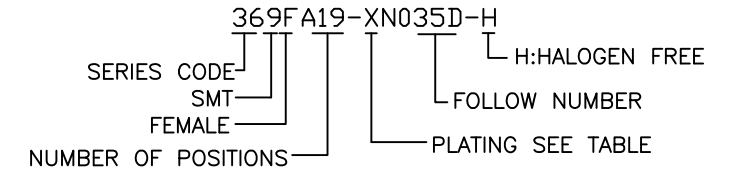
MATERIALS

- HOUSING : HI.-TEMP.PLASTIC(UL 94V-0), BLACK.
- TERMINAL : COPPER ALLOY,
PLATING : GOLD PLATED ON CONTACT AREA,
TIN PLATED ON SOLDER TAILS.
- SHELL : COPPER ALLOY,
PLATING : NICKEL PLATED OVERALL.


SPECIFICATION

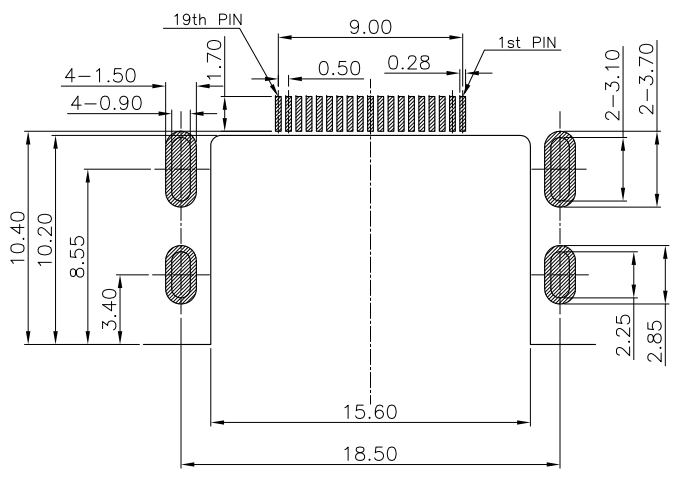
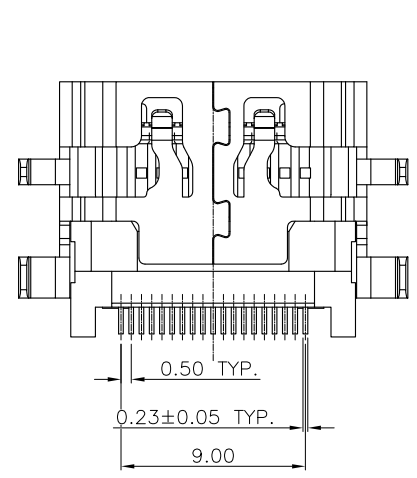
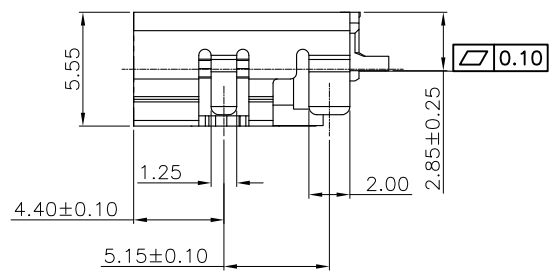
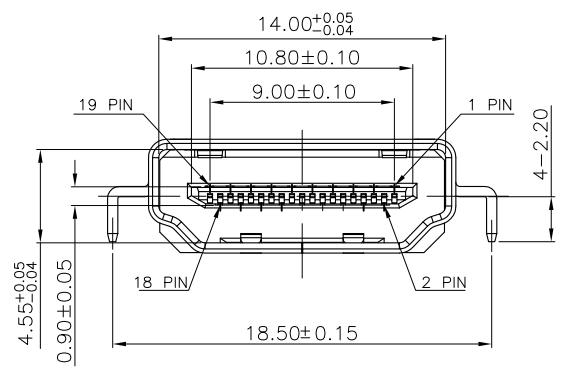
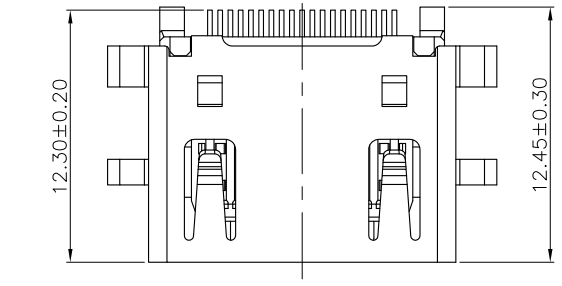
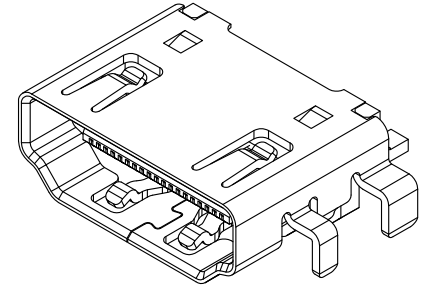
- CURRENT RATING : 0.5 A. MAX.
- DIELECTRIC WITHSTANDING VOLTAGE :
500V AC R.M.S. FOR 1 MINUTE.
- INSULATION RESISTANCE : 100MΩ MIN.AT 500V DC.
- CONTACT RESISTANCE : 30mΩ MAX.
- OPERATING TEMPERATURE : -25°C TO +85°C.
- INSERTION FORCE : 4.5Kgf MAX.
- WITHDRAWING FORCE : 1Kgf ~ 4Kgf.

PART NUMBER INFORMATION :



DESCRIPTION OF PLATING ON TERMINALS			
NO.	EXPLAIN	NO.	EXPLAIN
0	GOLD FLASH	3	GOLD 15u"
6	GOLD 30u"		

TOLERANCE .0=±0.25 .00=±0.15 .000=±0.05 ANG.=±3°	DRAWER <i>Shen</i>	 ASTRON TECHNOLOGY CORP.	
	CHECK <i>Sheny</i>		NAME HDMI A 2.1 TYPE FEMALE BOARD CUTTING(H=2.85)
APP'D <i>Sheny</i>	PRODUCT SPEC. —		DRAW NO. R369FA19-XN035D-H
UNITS : mm	SCALE NONE SIZE A7 SHEET 1 OF 1 REV. 1		



RECOMMEND PCB LAYOUT
 TOLERANCE: ±0.05
 TOP VIEW