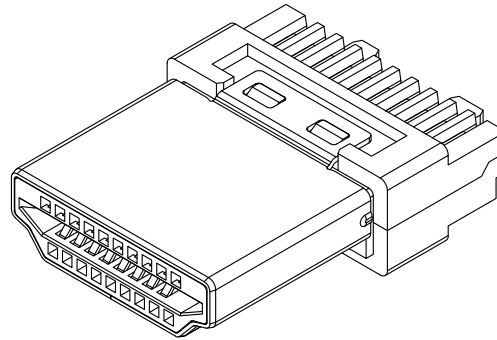
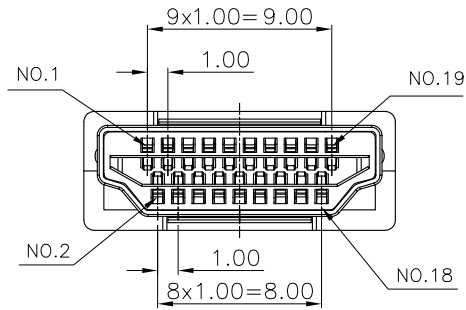


REV.	DESCRIPTION	DATE
1	PRELIMINARY	Oct 08, 2018



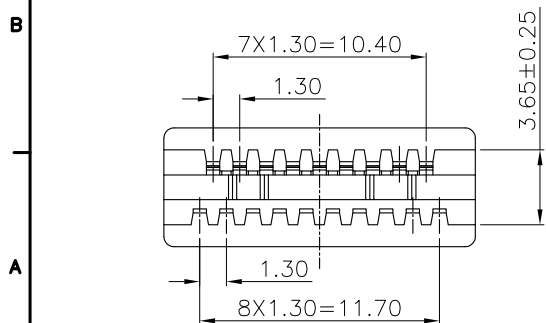
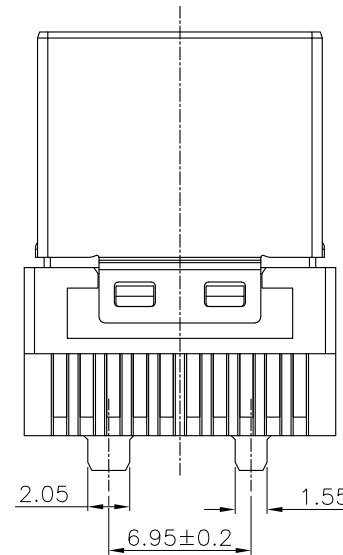
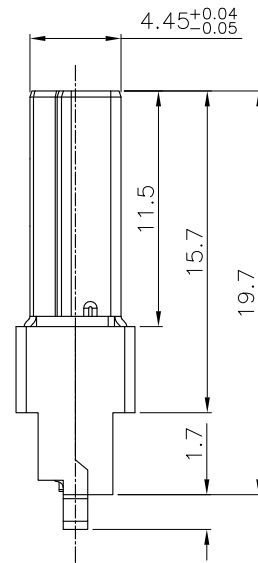
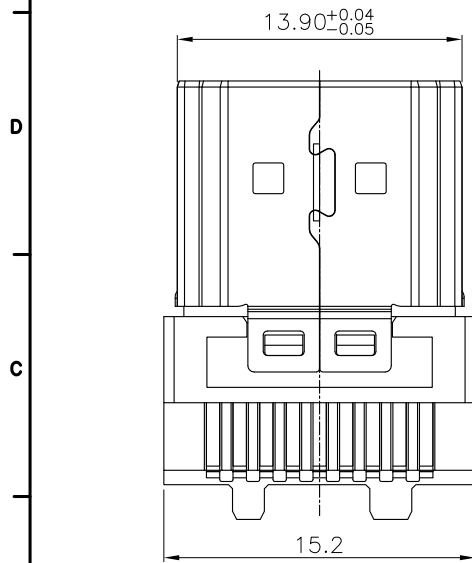
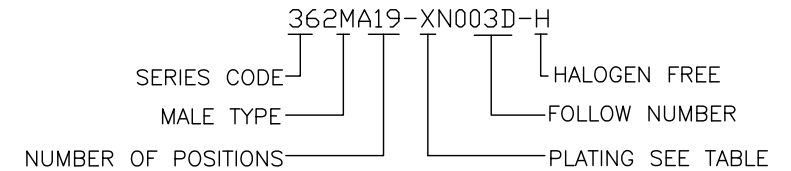
### MATERIALS

- HOUSING : HI.-TEMP PLASTIC (UL 94V-0) BLACK.
- TERMINAL : COPPER ALLOY,  
PLATING : GOLD PLATED ON CONTACT AREA, TIN PLATED ON SOLDER TAILS.
- SHELL : SPCC,  
PLATING : NICKEL PLATED OVERALL.

### SPECIFICATION

- CURRENT RATING : 0.5 A. MAX.
- DIELECTRIC WITHSTANDING VOLTAGE :  
500V AC R.M.S. FOR 1 MINUTE.
- INSULATION RESISTANCE : 100MΩ MIN. AT 500V DC.
- CONTACT RESISTANCE : 30mΩ MAX.
- OPERATING TEMPERATURE : -25°C TO +85°C.
- DURABILITY : 10000 CYCLES.
- WITHDRAWAL FORCE : 1.0Kgf~4.0Kgf.
- INSERTION FORCE : 4.0Kgf MAX.

### PART NUMBER INFORMATION :



### DESCRIPTION OF PLATING ON TERMINALS

NO.	EXPLAIN	NO.	EXPLAIN
0	GOLD FLASH	3	GOLD 15u''
6	GOLD 30u''		

<b>TOLERANCE</b> .0=±0.25 .00=±0.15 .000=±0.05 ANG.=±3°	DRAWER <i>Shen</i>	 <b>ASTRON TECHNOLOGY CORP.</b> NAME HDMI A 2.1 TYPE PLUG DRAW NO. R362MA19-XN003D-H	
	CHECK <i>Stony</i>		
	APP'D <i>Stony</i>		
	PRODUCT SPEC. —		
UNITS : mm			
SCALE NONE	SIZE A7	SHEET 1 OF 1	REV. 1