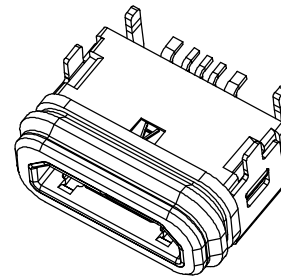
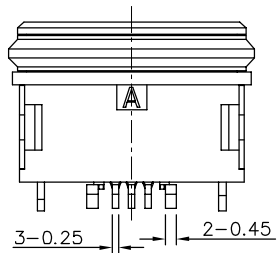
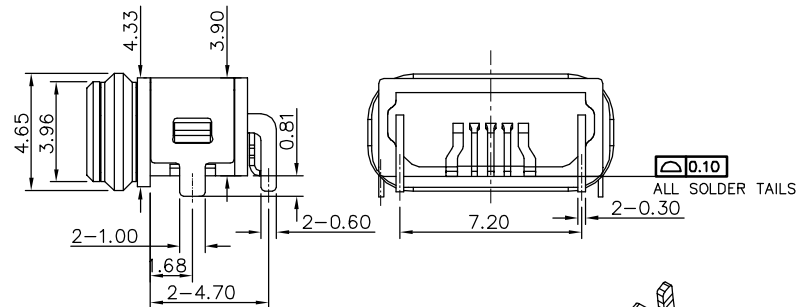
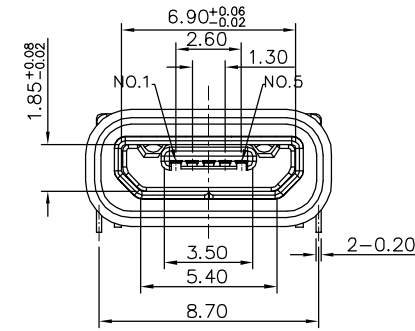
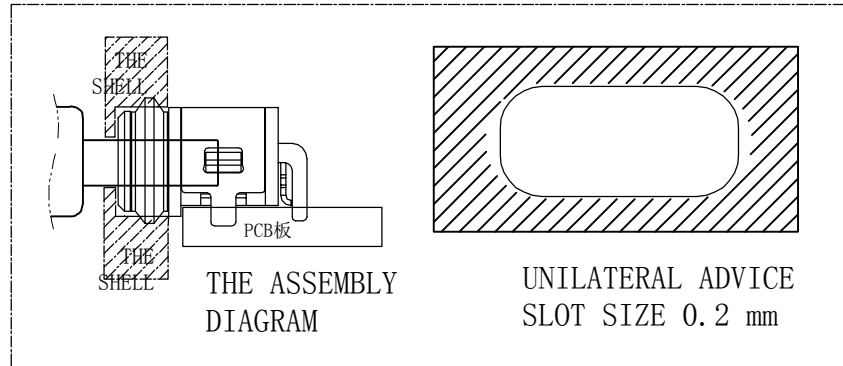
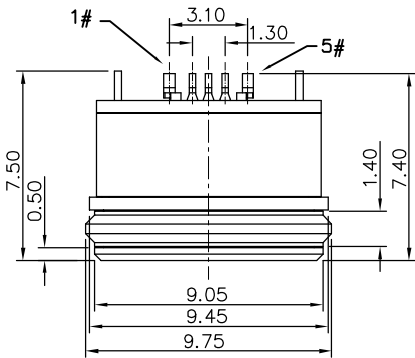
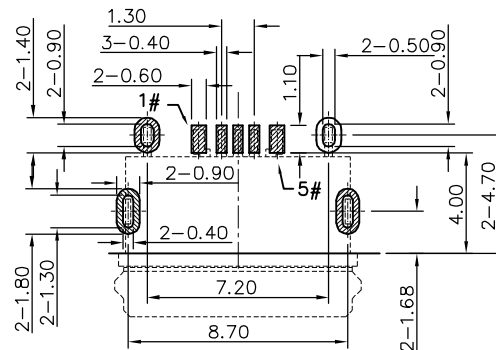


REV.	DESCRIPTION	DATE
1	PRELIMINARY	Oct.29,2018



3D VIEW



RECOMMENDED P.C.B. LAYOUT (TOP VIEW)
GENERAL TOLERANCE: ±0.05

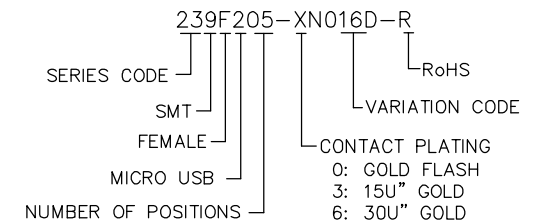
MATERIALS

- HOUSING: HIGH TEMPERATURE THERMOPLASTIC, BLACK.
- OUTER SHELL: HIGH TEMPERATURE THERMOPLASTIC, BLACK.
- TERMINAL: COPPER ALLOY.
GOLD PLATED ON CONTACT AREA.
- INNER SHELL: COPPER ALLOY OR STAINLESS.
PLATING: NICKEL PLATED.
- U-SHAPED FRAME: COPPER ALLOY OR STAINLESS.
PLATING: NICKEL PLATED.
- GLUE: BLACK.
- OVAL RING: RUBBER, BLACK.

SPECIFICATION

- CURRENT RATING: 3A(PIN1&5), 0.5A(PIN2&3&4)
- DIELECTRIC WITHSTANDING VOLTAGE :
500V AC R.M.S. FOR ONE MINUTE.
- INSULATION RESISTANCE: 1000MΩ MIN.
- CONTACT RESISTANCE: 30mΩ MAX.
- OPERATING TEMPERATURE: -25°C TO +85°C.
- DURABILITY: 10000 CYCLES.
- MATING FORCE: 3.5kgf(35N) MAX.
- UNMATING FORCE: 0.8kgf(8N) MIN.
- WATER PROOFNESS:
THIS PRODUCT IS BASED ON IP68(1.5-30m, 30min)
- PLUG INTERFACE DIMENSIONS COMFORM TO USB2.0 SPEC.

PART NUMBER INFORMATION :



Contact Number	Signal Name	Remarks
1#	VBUS	Power
2#	D-	Date-
3#	D+	Date+
4#	ID	Reserve or Ground
5#	GND	Ground

TOLERANCE 0.=±0.30 .0=±0.20 .00=±0.15 .000=±0.10 ANG.=±3°	DRAWER <i>DJM</i>	 ASTRON TECHNOLOGY CORP.
UNITS : mm	CHECK <i>SPURD FU</i>	
SCALE NONE SIZE A4	APP'D <i>SPURD FU</i>	NAME MICRO USB 2.0 B TYPE RECEPTACLE
SHEET 1 OF 1	PRODUCT SPEC. —	DRAW NO. 239F205-XN016D-R
REV. 1		